

4

3

2

1

D

D

C

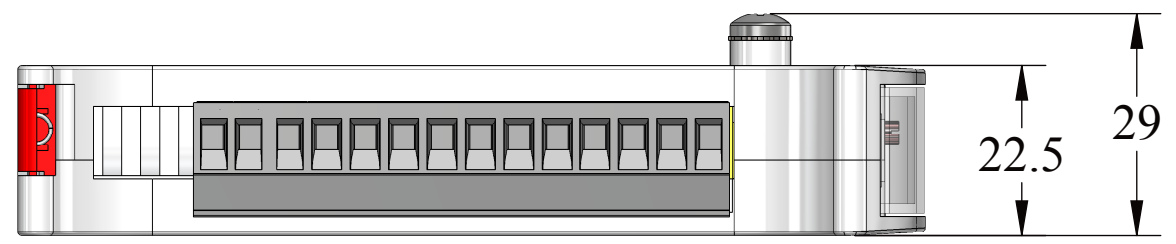
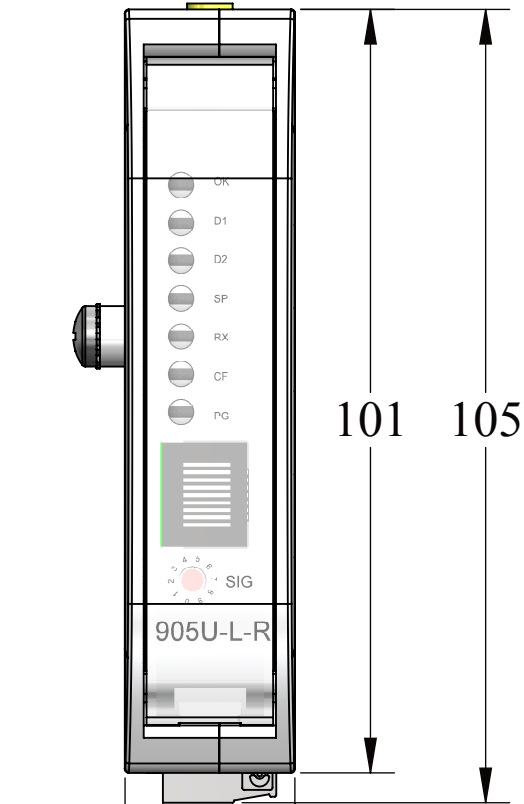
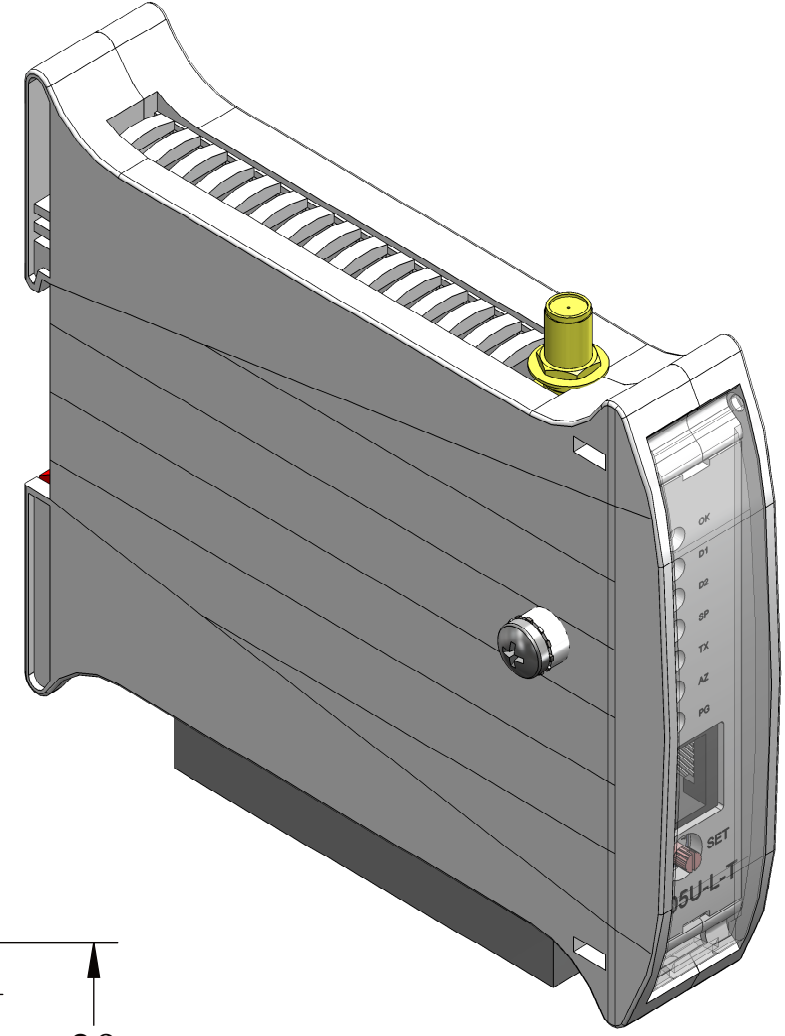
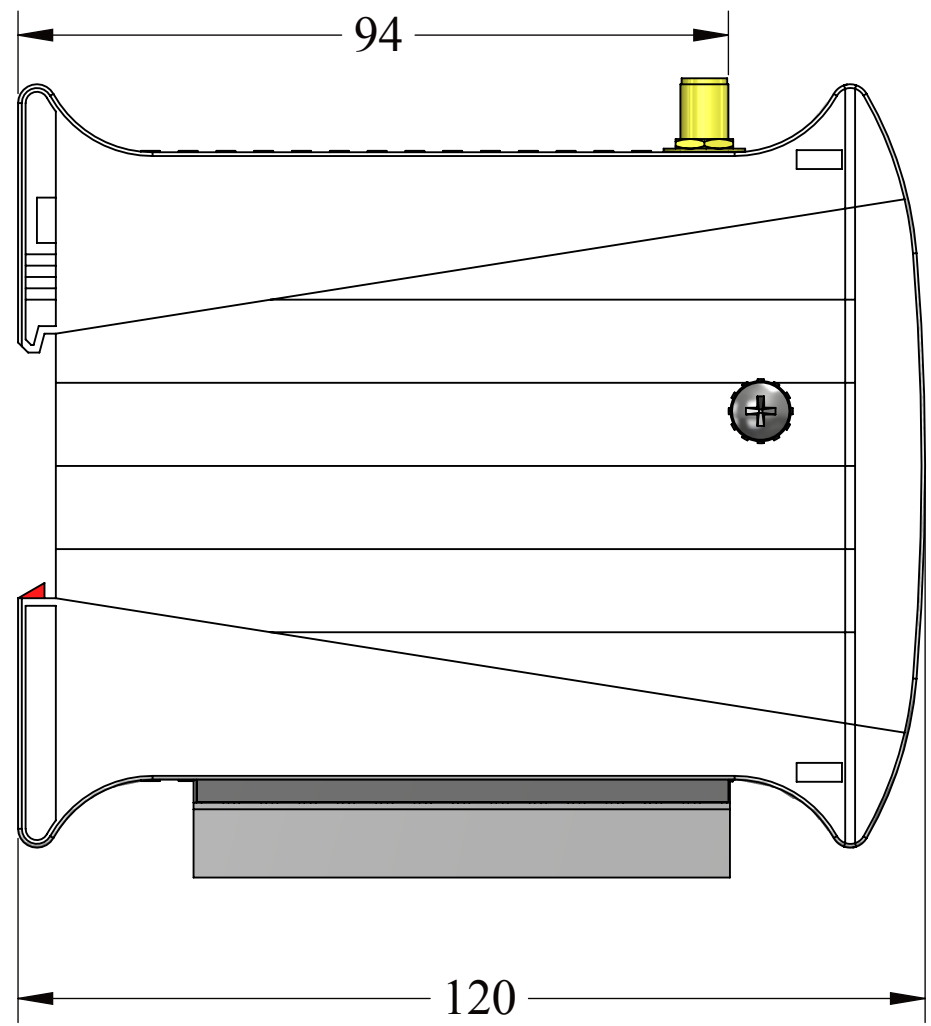
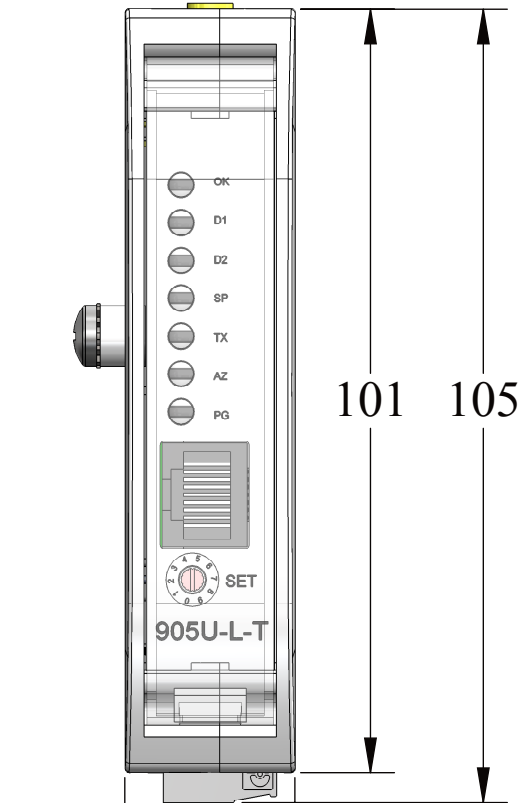
C

B

B

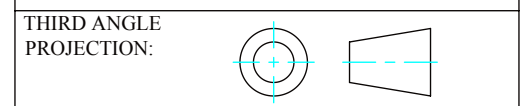
A

A



REVISIONS			
REV	DATE:	APPROVED:	ECO
1	2011/01/27	JW	
DESCRIPTION:			
REV	DATE:	APPROVED:	ECO
DESCRIPTION:			
NOTES: (UNLESS OTHERWISE SPECIFIED)			
1.	MATERIAL: TERMINAL STRIP IS FOR 905U-L-T AND WILL VARY SLIGHTLY FOR 905U-L-R.		
	DIMENSION DRAWING ALSO SUITABLE FOR 105U-L-T & 105U-L-R MODULES.		

UNLESS OTHERWISE SPECIFIED DIMENSIONS ARE IN MILLIMETERS DO NOT SCALE DRAWING DRAWING DIMENSIONS ARE INTENDED TO BE USED AS A GUIDE TO INSTALLATION ONLY FOR REFERENCE PURPOSES ONLY



THESE DESIGNS AND SPECIFICATIONS ARE THE PROPERTY OF COOPER BUSSMANN AND SHALL NOT BE COPIED OR USED FOR MANUFACTURING WITHOUT ITS WRITTEN CONSENT.

CHECKED: DATE:

DRAWN: DATE:

DESIGNED: DATE:



TITLE:	905U-L-T and 905U-L-R	REV	1
PART #:		SIZE	B
DRAWING #:	dim_905U-L_1.1	SCALE:	1 : 1
SCALE:	1 : 1	SHEET:	1 OF 1