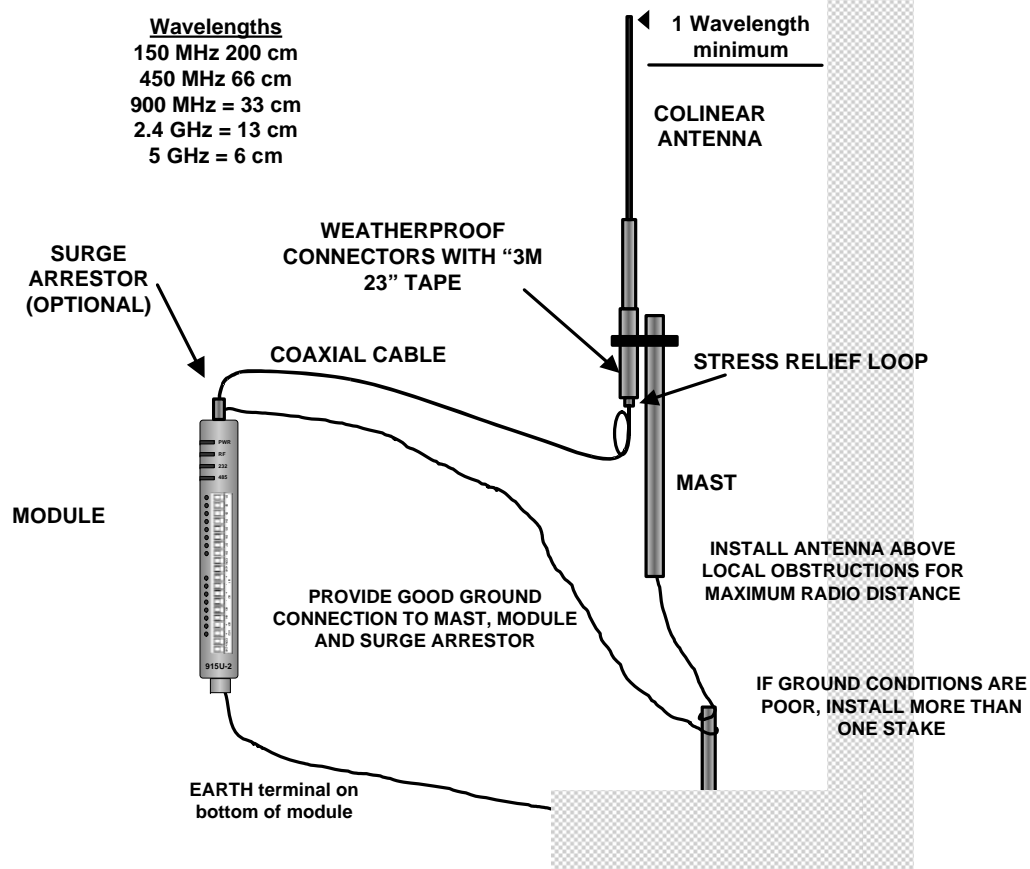


FCC Notice

This device complies with Part 15.247 of the FCC Rules. Operation is subject to the following two conditions:
 1) This device may not cause harmful interference and
 2) This device must accept any interference received, including interference that may cause undesired operation

Antenna Installation



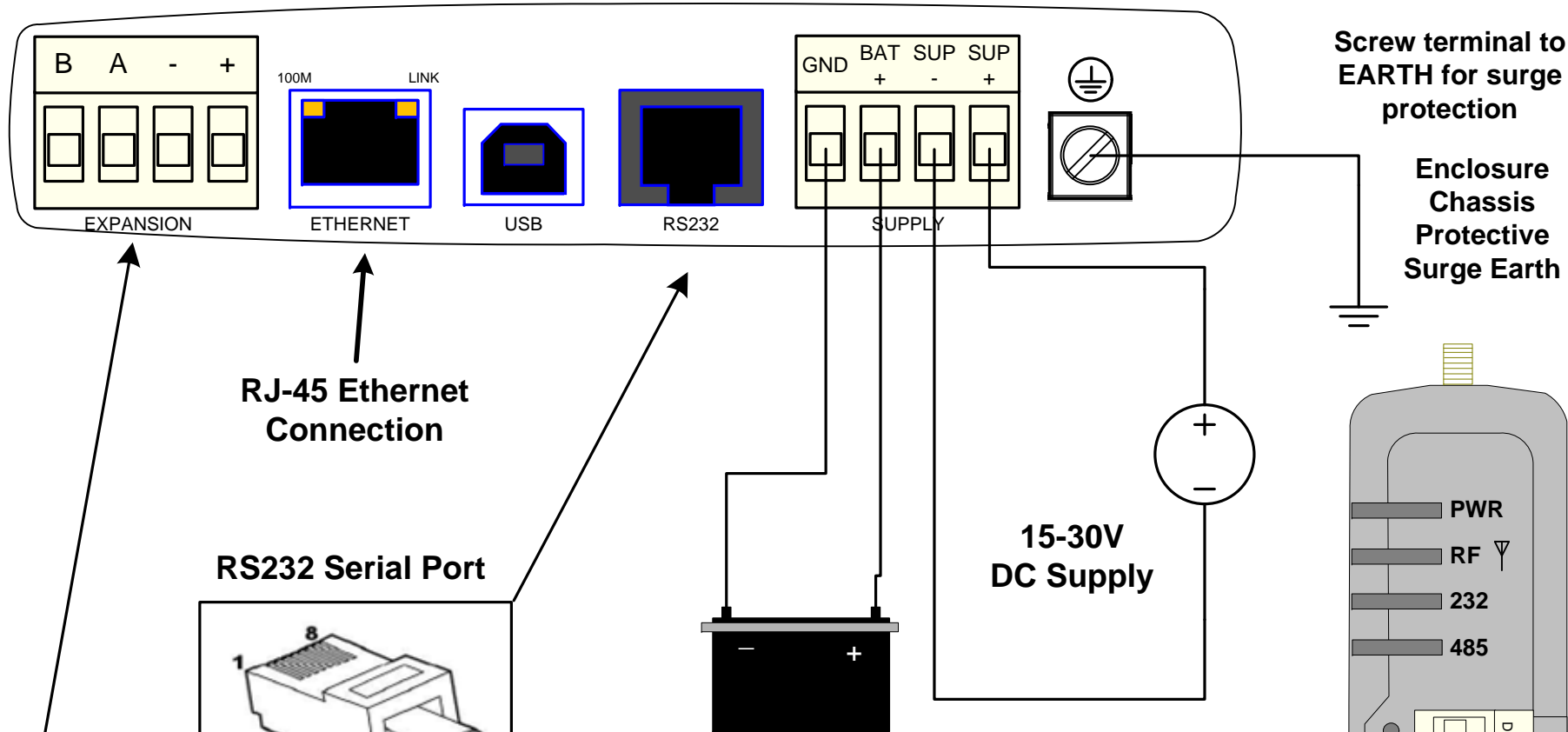
WARNING - EXPLOSION HAZARD

DO NOT DISCONNECT CIRCUITS WHILE LIVE, UNLESS AREA IS A KNOWN TO BE NON- HAZARDOUS

NOTES

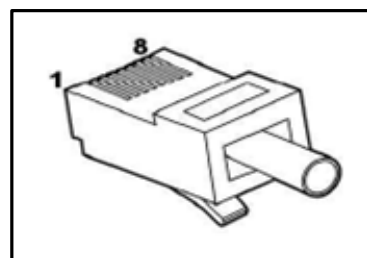
- 915U-2 MODULES ARE SHIPPED FROM THE FACTORY AS MESHING RADIOS, FOR WIBNET COMPATIBILITY MODE IT WILL BE NEED TO BE ENABLED IN CONFIGURATION.
- All connections must be SELV (Safety Extra Low Voltage <50V AC & <120V DC)
- Ethernet Port wiring is that of a hub or switch.
- EARTH terminal on end plate of module for surge protection.
- DIO channels can be wired as either inputs or outputs.

NOTE: "GND" and "SUP -" terminals are connected internally to the EARTH terminal



RJ-45 Ethernet Connection

RS232 Serial Port



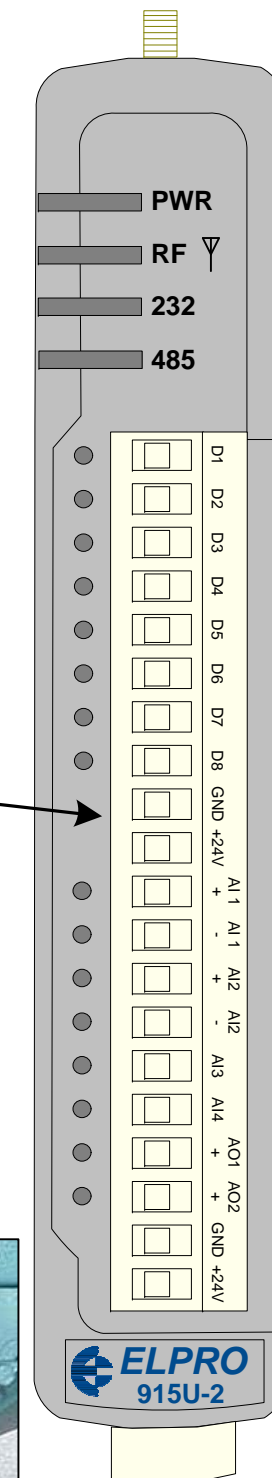
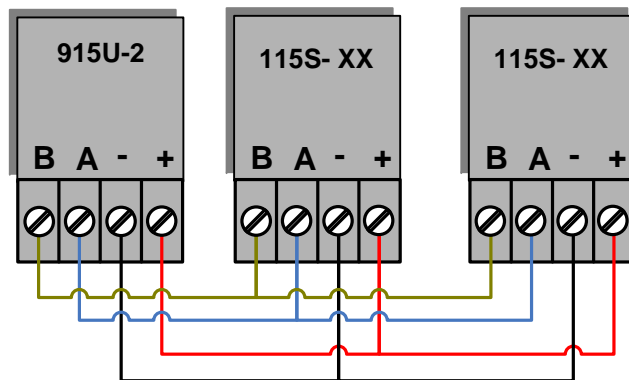
RJ-45	Signal name	Abbrev	DB9
3	Data Terminal Ready	DTR	4
4	Signal Common	GND	5
5	Receive Data	RXD	2
6	Transmit Data	TXD	3

For I/O Connections see Sheet 2

Side Access Panel Dip Switches

DIP	Description
1	A13 Current/Voltage
2	A13 Current/Voltage
3	A14 Current/Voltage
4	A14 Current/Voltage
5	Unused
6	Default Config Enable

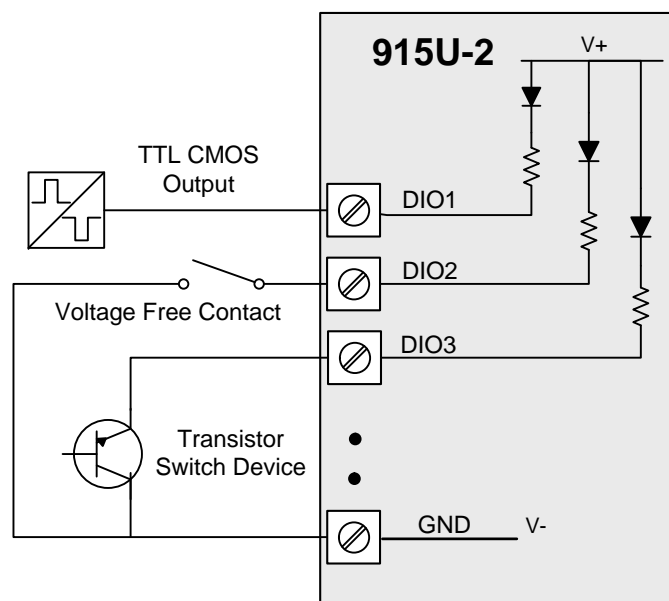
Expansion I/O Power and RS485 serial connection



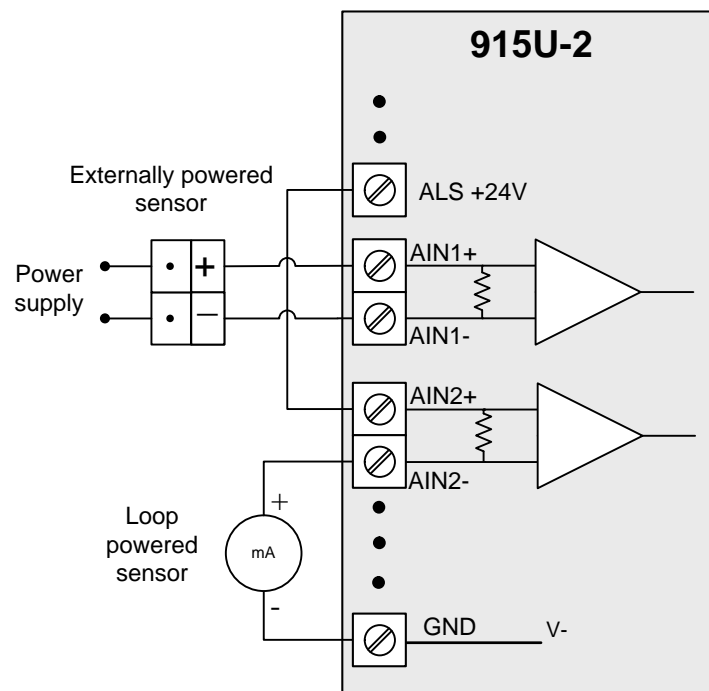
FCC Statutory Requirement

Unlicensed operation limits the radio power. High gain aerials may only be used to compensate for cable losses.

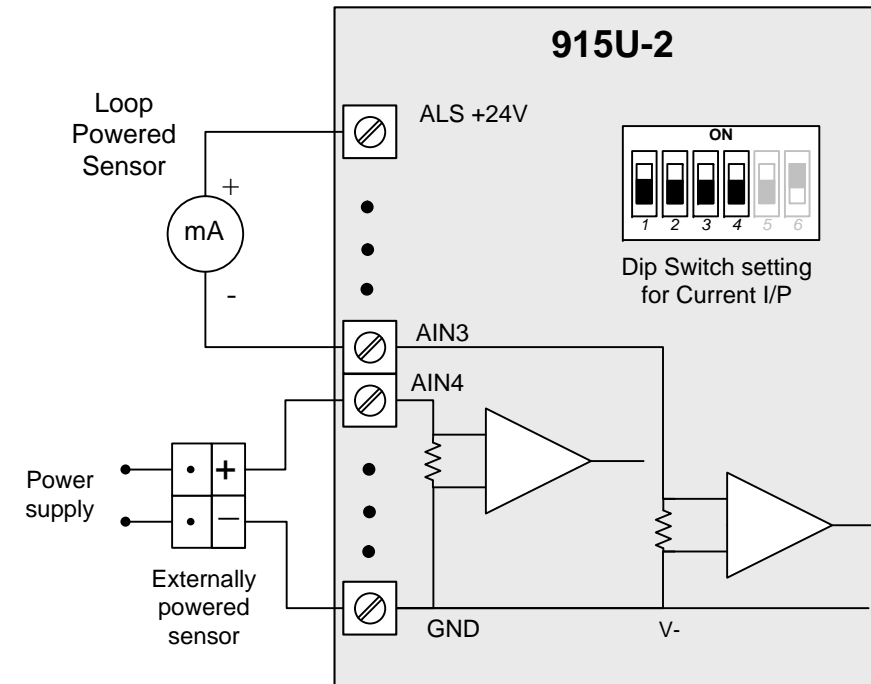
Digital Input



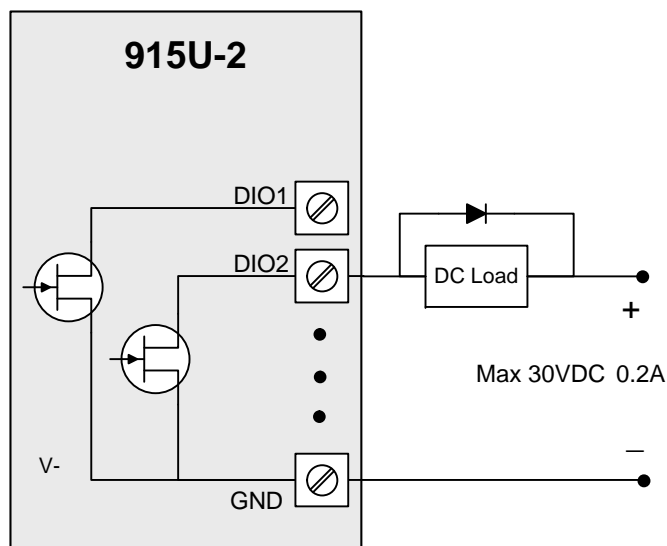
Differential Current Inputs (AI1&2)



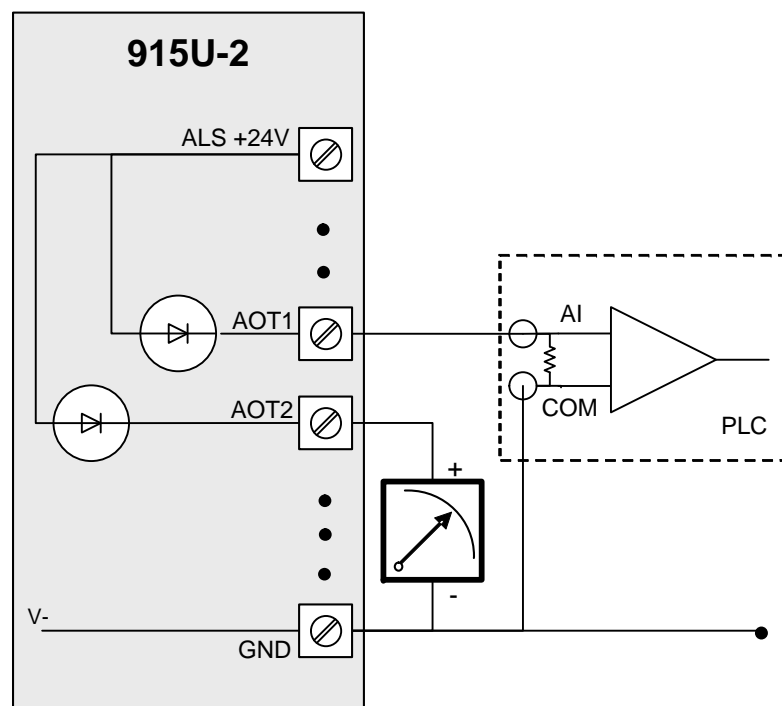
Single Ended Current Input (AI3&4)



Digital Output



Analog Output



Single Ended Voltage Input

