

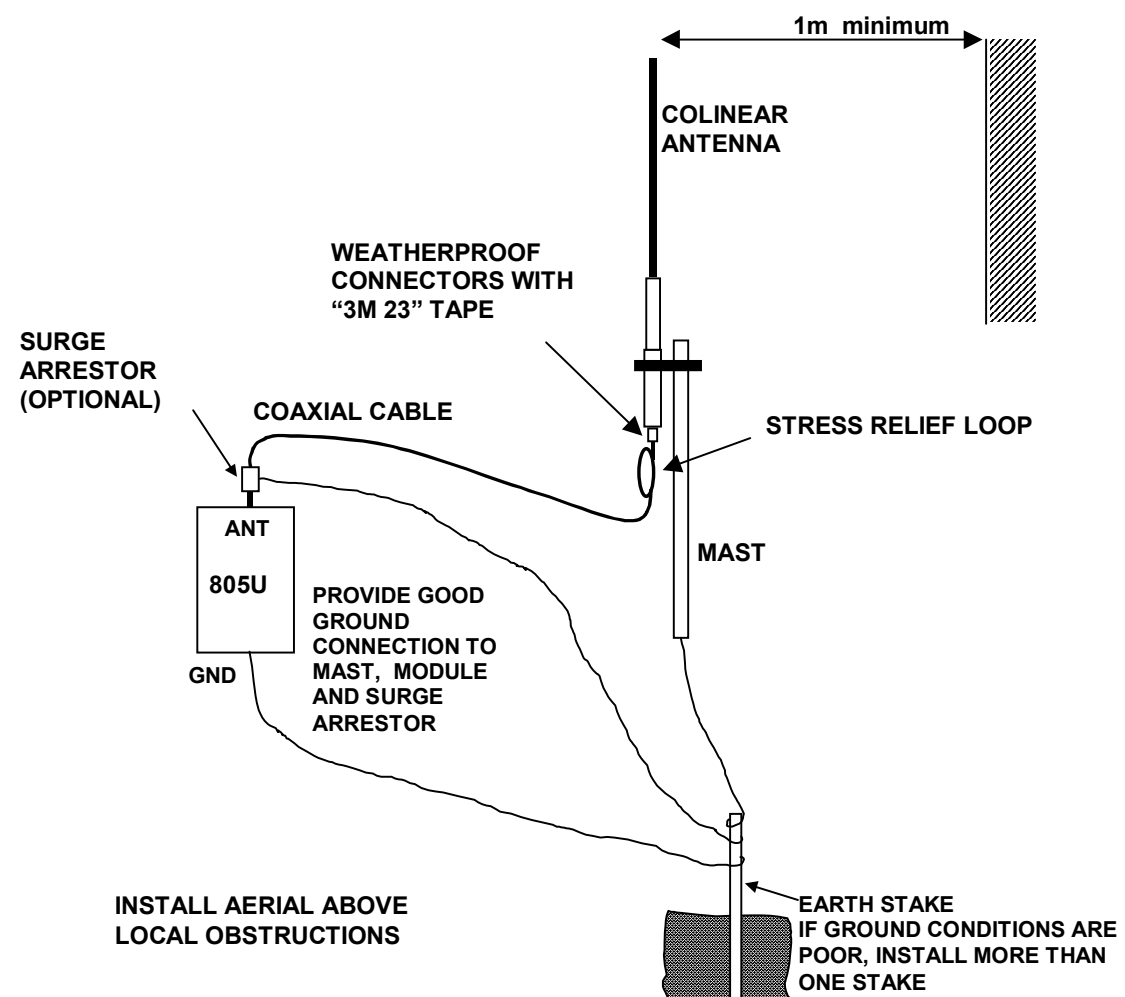
# 805U-D

## Installation Guide

### Statutory Requirements

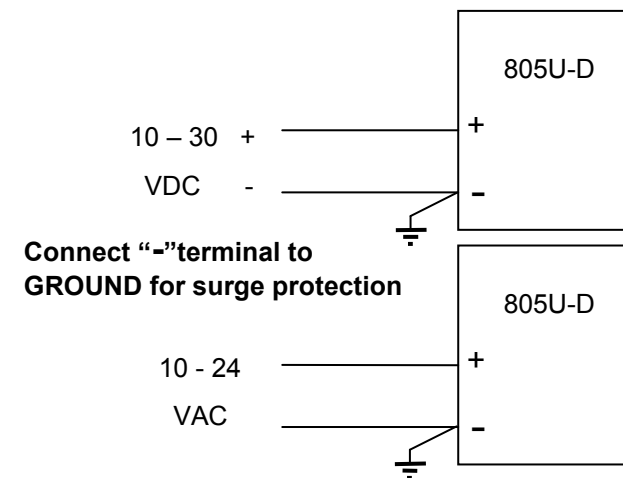
Unlicensed operation limits the radio power. High gain aerials may only be used to compensate for cable losses. Systems should be designed for a duty factor of less than 10% to comply with licence-free regulations.

### Antenna Installation

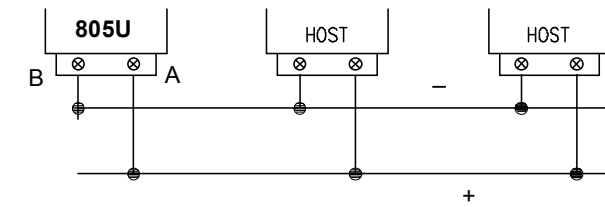


### 805U-D Wiring

Power supply 10 – 30 VDC / 10 – 24 VAC

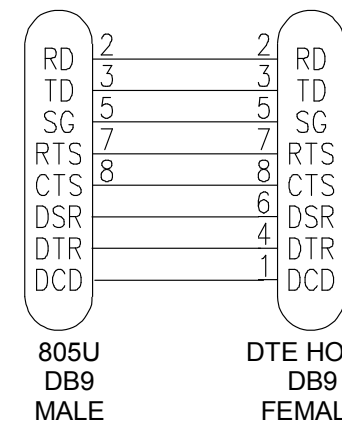


### RS485 Connection



### RS232 Connections

PC's



PLC's, Dataloggers

