

115S Quick Setup Guide - Connections

THIS EQUIPMENT IS SUITABLE FOR USE IN CLASS 1 DIVISION 2 GROUPS A,B,C AND D, OR NONHAZARDOUS LOCATIONS ONLY.

ADDRESSING **Connection to Modbus Master**

Set a unique Modbus slave address for each 115S connected to the Modbus Master
 Example shows address "01"
 Consult user manual for Modbus addresses

ADDRESSING **Connection to E-Series Radio**

Address switches must be 00 for E-Series protocol
 Example shows address "00"
 Setup using ELPRO E-Series configuration utility.

POWER

Power Connections:
 '+' : Pos Supply (10.8 to 30 VDC**)
 '-' : Neg Supply

115S-11: 300mA max
 115S-12: 900mA max
 115S-13: 900mA max

****Check rear label for operating voltages**

EARTH wiring minimum 2mm² - 14 AWG
 Ensure all earth connections are at the same potential.

POWER

Power Connections:
 '+' : Pos Supply (10.8 to 30 VDC**)
 '-' : Neg Supply

115S-11: 300mA max
 115S-12: 900mA max
 115S-13: 900mA max

****Check rear label for operating voltages**

EARTH wiring minimum 2mm² - 14 AWG
 Ensure all earth connections are at the same potential.

RS485

Up = terminated
 Down = un-terminated

RS485 termination switch
 Power and Modbus connector

A, B: Connect RS485 (Modbus)

RS485 Termination switch up (terminated) or 120Ω Fitted across RS485

RS485 Termination switch up (terminated)

RS485

Up = terminated
 Down = un-terminated

RS485 Termination switch
 Power and RS485 connector

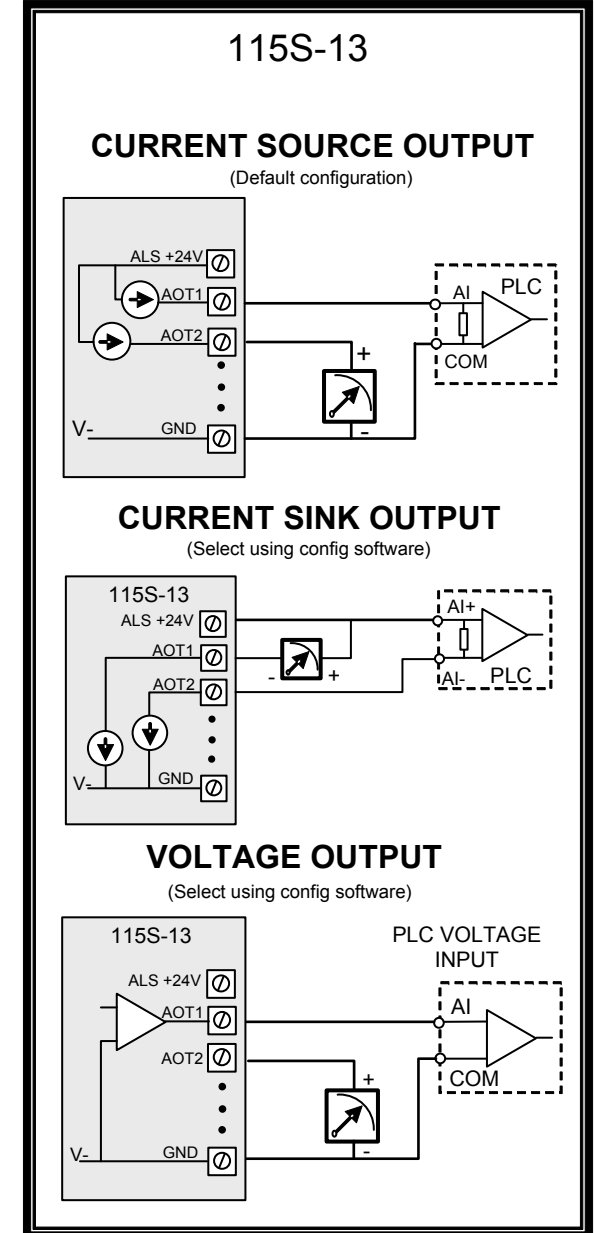
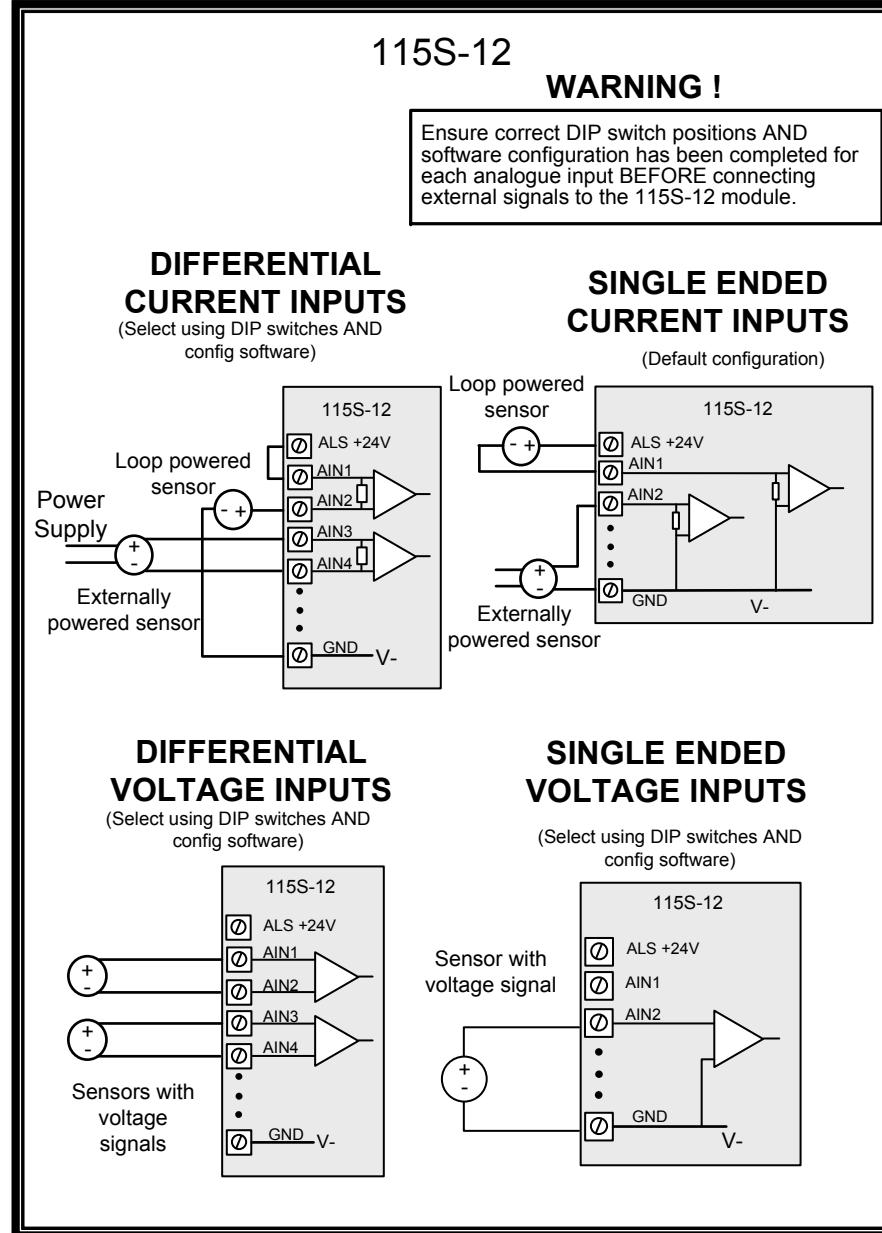
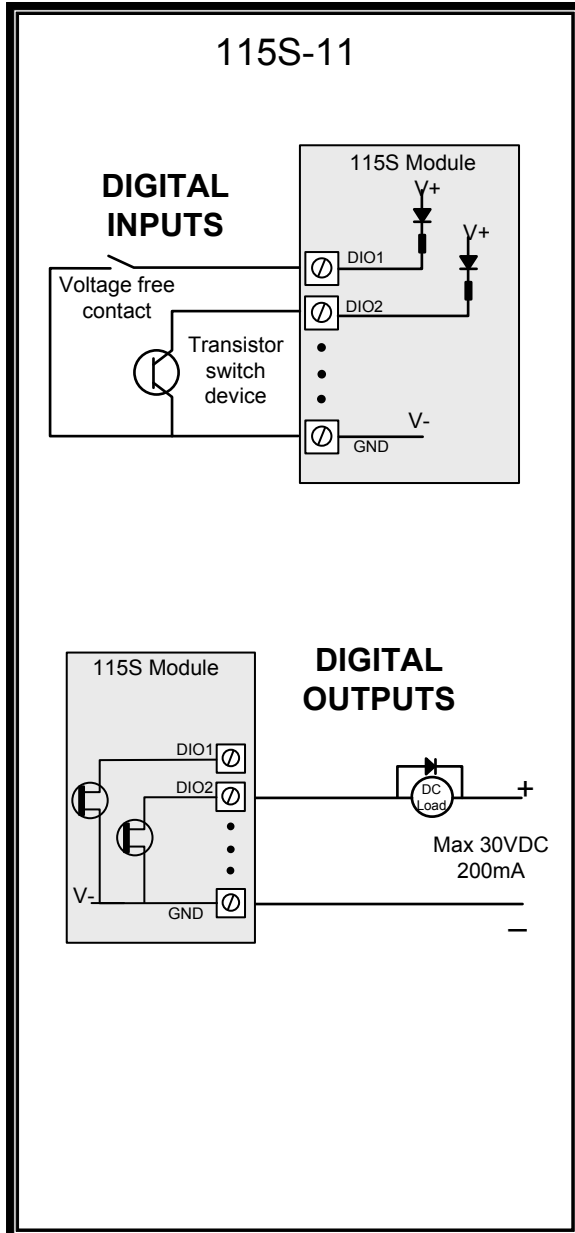
A, B: Connect RS485 (Elpro)

RS485 Termination switch up (terminated)

RS485 Termination switch up (terminated)

WARNING - EXPLOSION HAZARD - DO NOT DISCONNECT EQUIPMENT WHILE THE CIRCUIT IS LIVE OR UNLESS THE AREA IS KNOWN TO BE FREE OF IGNITABLE CONCENTRATIONS.
WARNING - EXPLOSION HAZARD - SUBSTITUTION OF ANY COMPONENT MAY IMPAIR SUITABILITY FOR CLASS I, DIVISION 2.

THIS EQUIPMENT IS SUITABLE FOR USE IN CLASS 1 DIVISION 2 GROUPS A,B,C AND D, OR NONHAZARDOUS LOCATIONS ONLY.



WARNING - EXPLOSION HAZARD - DO NOT DISCONNECT EQUIPMENT WHILE THE CIRCUIT IS LIVE OR UNLESS THE AREA IS KNOWN TO BE FREE OF IGNITABLE CONCENTRATIONS.

WARNING - EXPLOSION HAZARD - SUBSTITUTION OF ANY COMPONENT MAY IMPAIR SUITABILITY FOR CLASS I, DIVISION 2.