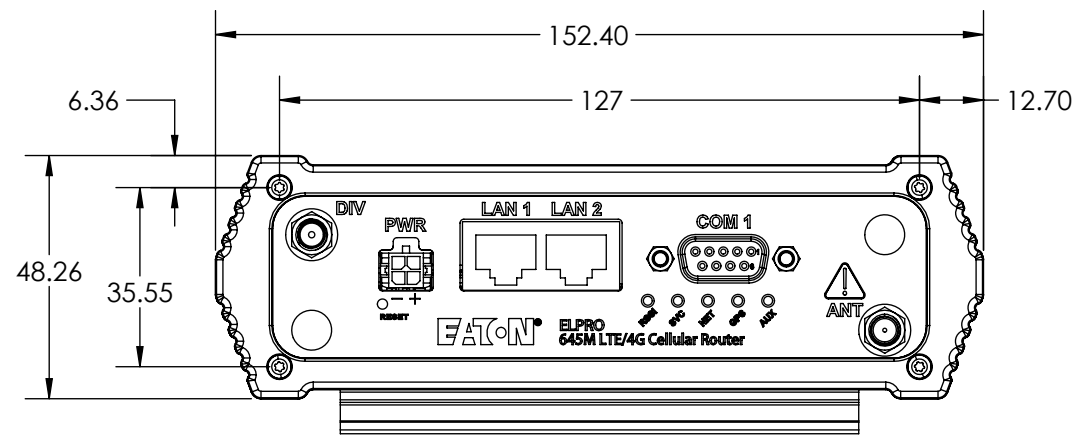
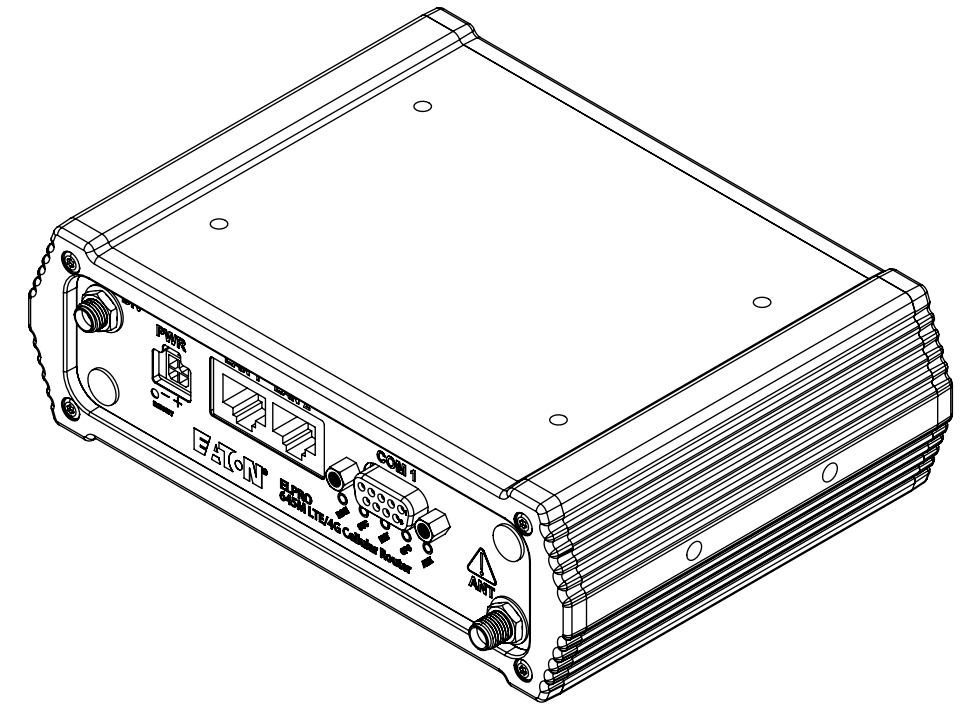
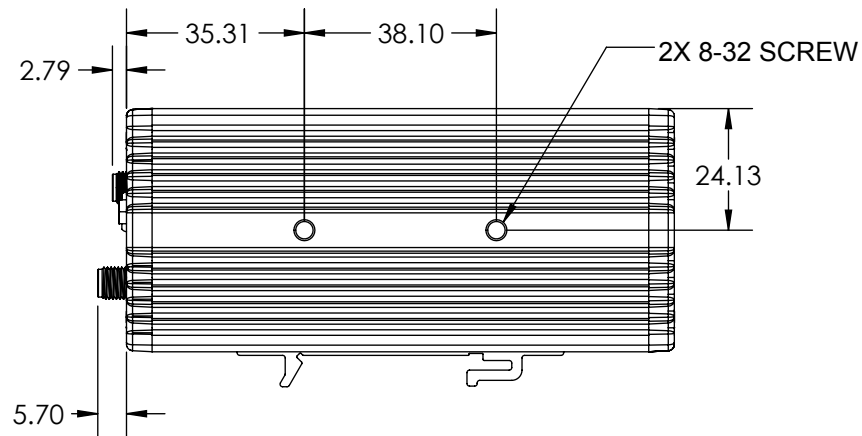


BOTTOM VIEW

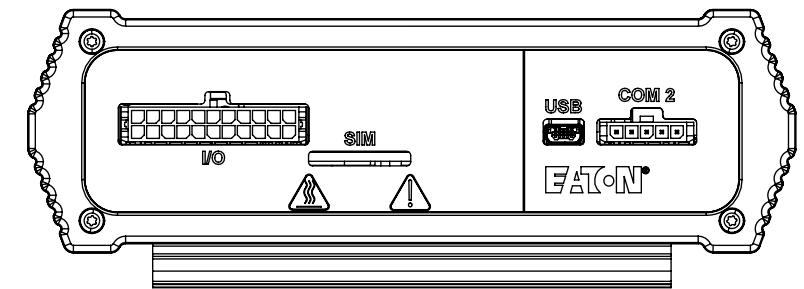
VIEW A-A



FRONT VIEW

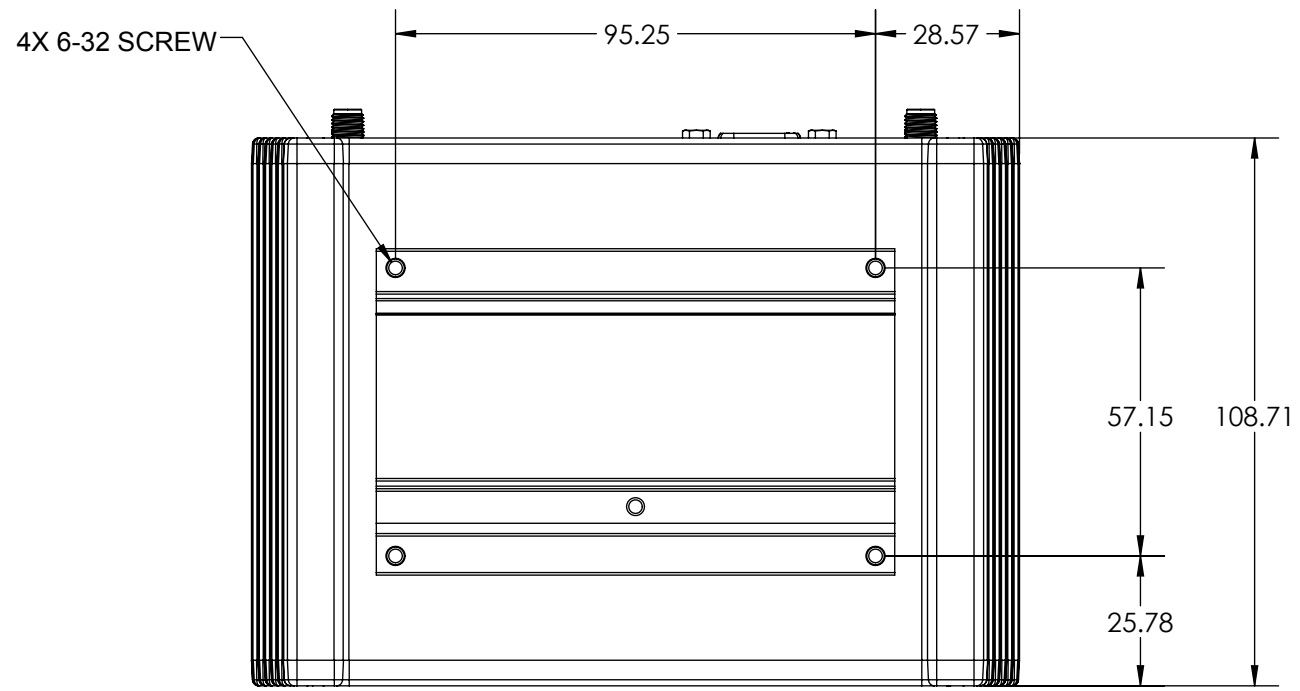


RIGHT VIEW



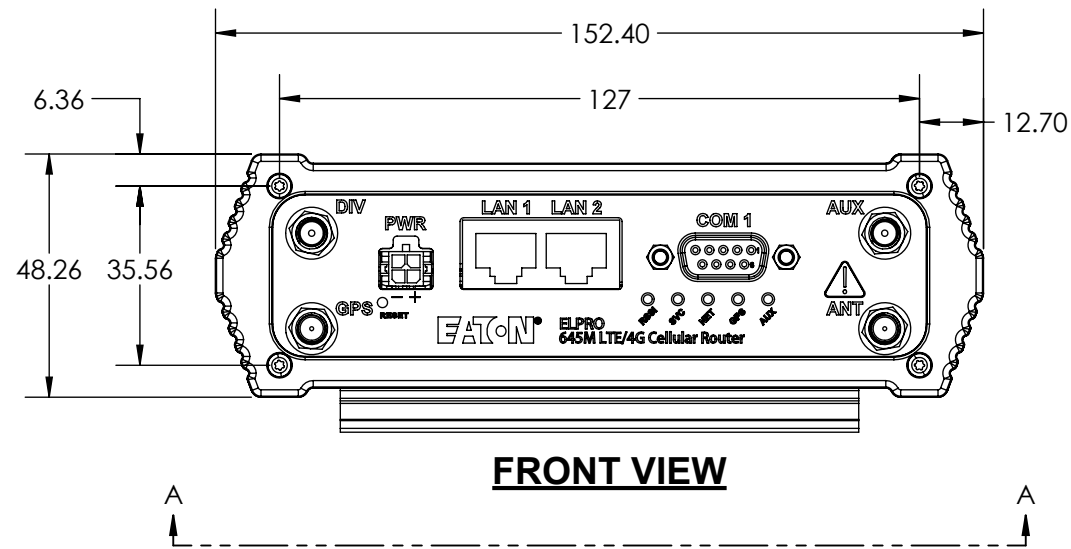
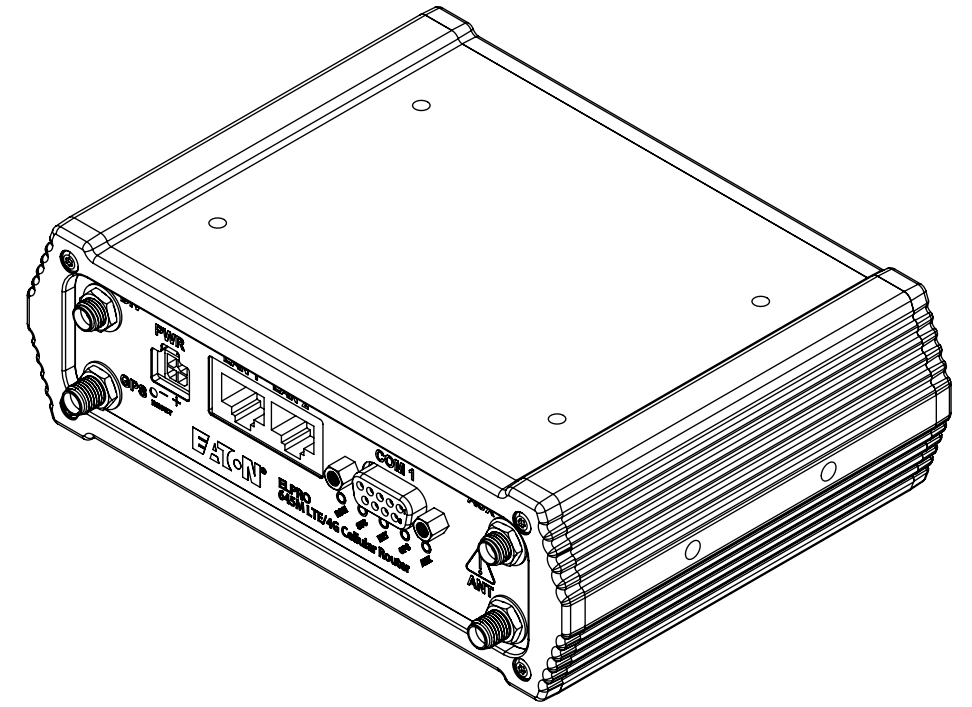
BACK VIEW

CAD: SOLIDWORKS 2015			COMPANY CONFIDENTIAL	
TOLERANCE UNLESS OTHERWISE SPECIFIED		DRAWN BY: IDE	DATE: MARCH 24, 2016	
LINEAR DECIMALS		MATERIAL:		
.XX ± .254	.XXX ± .127			
ANGULAR DECIMALS		FINISH:		
.XX ±	.XXX ±			
DO NOT SCALE DRAWING THIRD ANGLE PROJECTION				
TITLE: 645M-1 ASSEMBLY			REVISION 01	
			DIM-645M-1_1.0	
SCALE: NTS	U/M: MM	SHEET 1 OF 1		

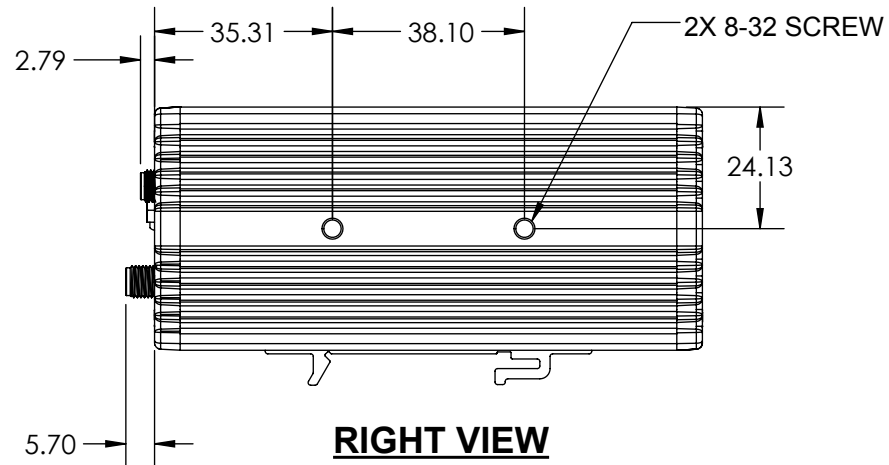


BOTTOM VIEW

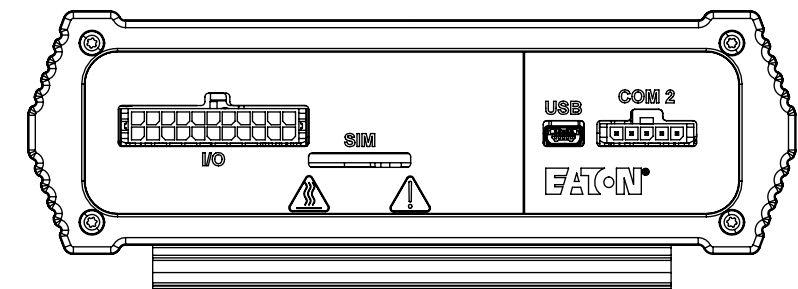
VIEW A-A



FRONT VIEW



RIGHT VIEW



BACK VIEW

CAD: SOLIDWORKS 2015			COMPANY CONFIDENTIAL	
TOLERANCE UNLESS OTHERWISE SPECIFIED		DRAWN BY: IDE	DATE: MARCH 24, 2016	
LINEAR DECIMALS		MATERIAL:		
.XX ± .254	.XXX ± .127			
ANGULAR DECIMALS		FINISH:		
.XX ±	.XXX ±			
DO NOT SCALE DRAWING THIRD ANGLE PROJECTION		TITLE: 645M-2 ASSEMBLY		
		DIM-645M-2_1.0		REVISION 01
		SCALE: NTS	U/M: MM	SHEET 1 OF 1