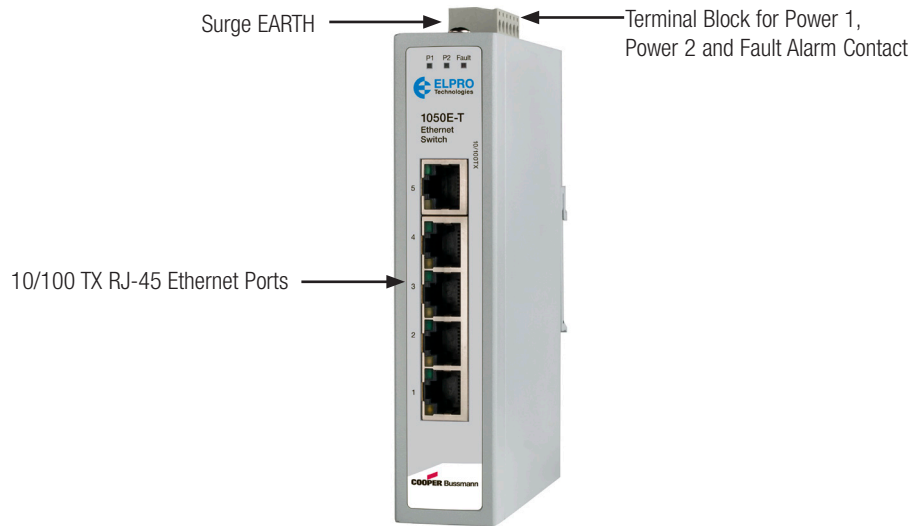


1050E-T ETHERNET SWITCH INSTALLATION GUIDE



Power Input and Fault Alarm Contact Wire Gauge: 12 ~ 24 AWG.

RJ-45 Port Connection: Use four twisted pair Cat 5 or Cat 5e cables less than 100 meters long.



NOTE This equipment is suitable for use in Class I, Division 2, Groups A, B, C, and D or non-hazardous locations only.



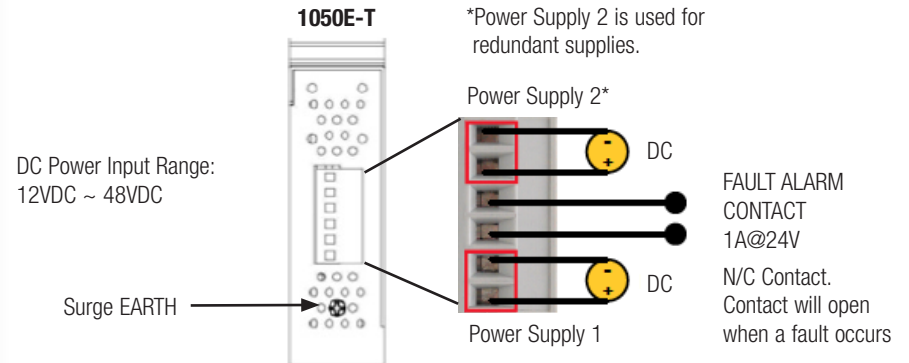
WARNING – EXPLOSION HAZARD!

- Do not disconnect equipment while the circuit is live unless the area is known to be free of ignitable concentrations.
- Do not disconnect equipment unless power has been removed or the area is known to be non-hazardous.
- Substitution of any components may impair suitability for Class I, Division 2.
- The area must be known to be non-hazardous before servicing or replacing the unit and before installing the unit.



WARNING Exposure to some chemicals may degrade the sealing properties of materials used in the sealed relay device. It is recommended to inspect the sealed relay device periodically and to check for any degradation of the materials and to replace the complete product (not the sealed device) if any degradation is found.

POWER SUPPLY WIRING



1. Insert DC power wires into the contacts for Power Supply 1 and 2.
2. Tighten the terminal screws to ensure that the wires do not come loose.

DIN-RAIL MOUNTING

1. Insert the top of the DIN rail clip onto the DIN rail.
2. Press the 1050E-T onto the DIN rail until it clicks into place.

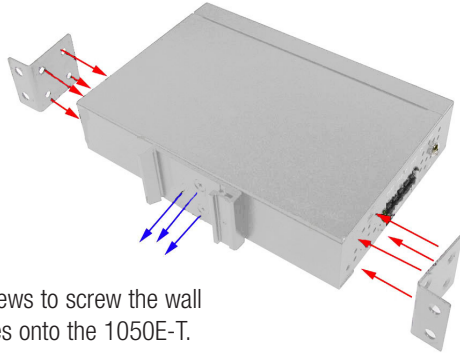


3. Check the module is securely attached to the DIN rail.
4. To remove the 1050E-T from the DIN rail, press down on the rear top of the module and swing the bottom of the module forward.

1050E-T ETHERNET SWITCH INSTALLATION GUIDE

WALL MOUNT PLATE MOUNTING

1. Remove the DIN rail from the 1050E-T by loosening the three screws.
2. Place the wall mount plates on the top and bottom panels of the 1050E-T.



3. Use the screws to screw the wall mount plates onto the 1050E-T.
4. Use the hook holes at the corners of the wall mount plates to mount the 1050E-T on the wall.
5. To remove the 1050E-T from the wall, reverse the above steps.