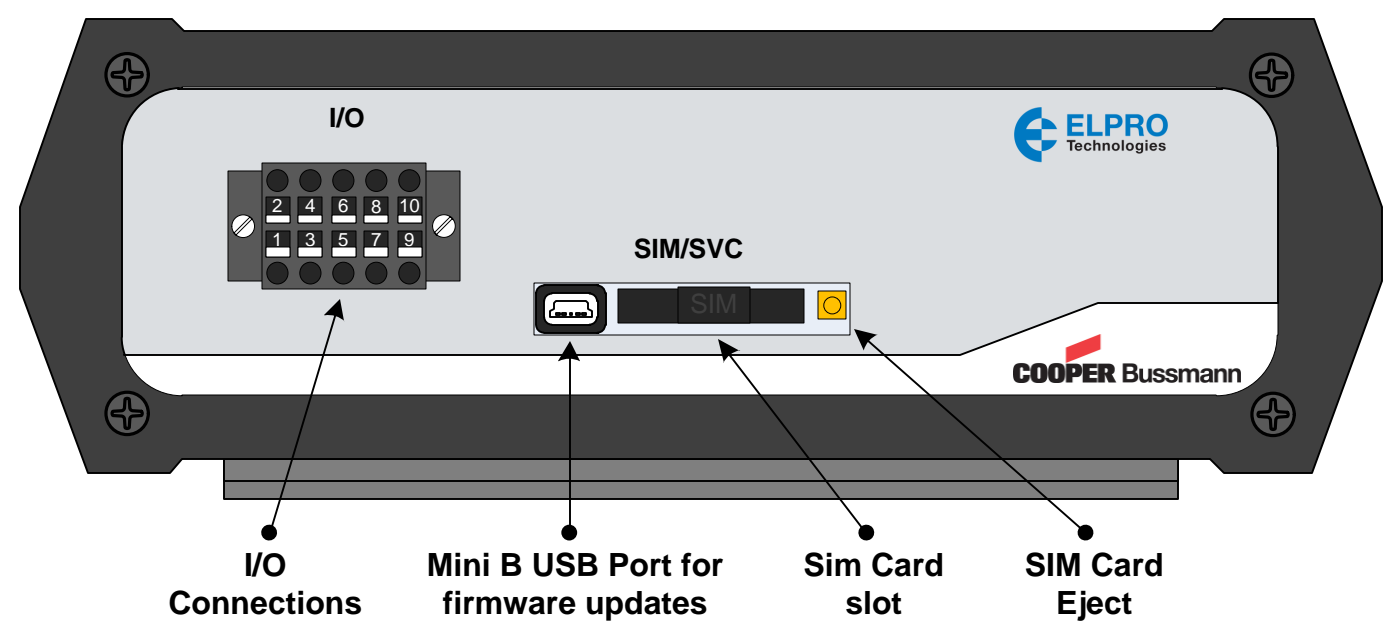
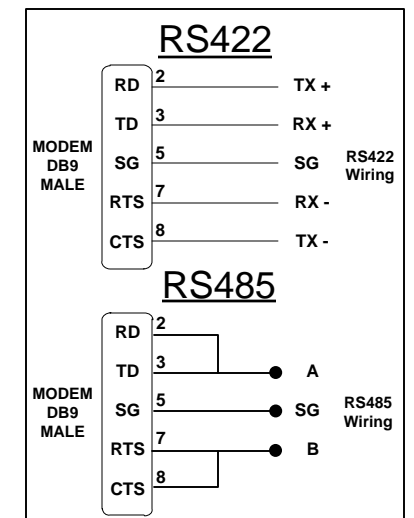
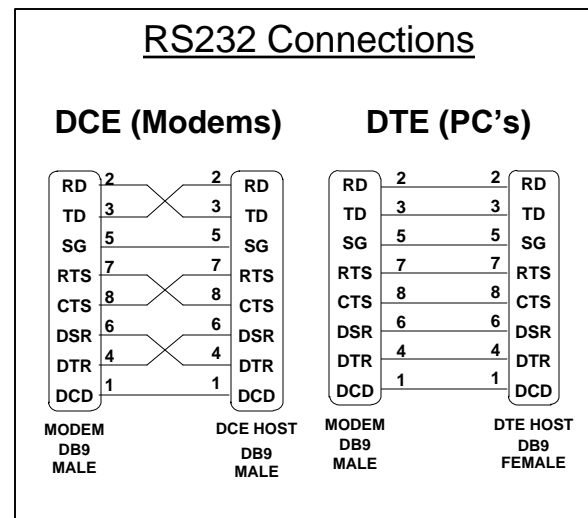
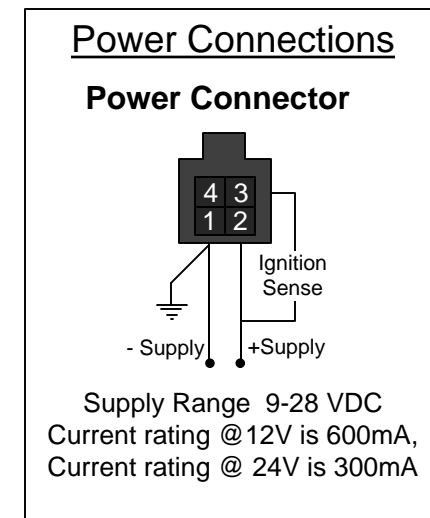
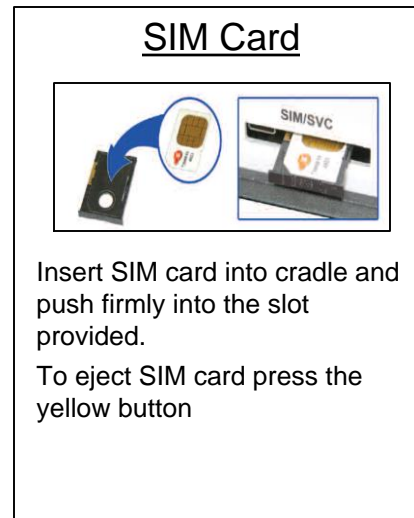
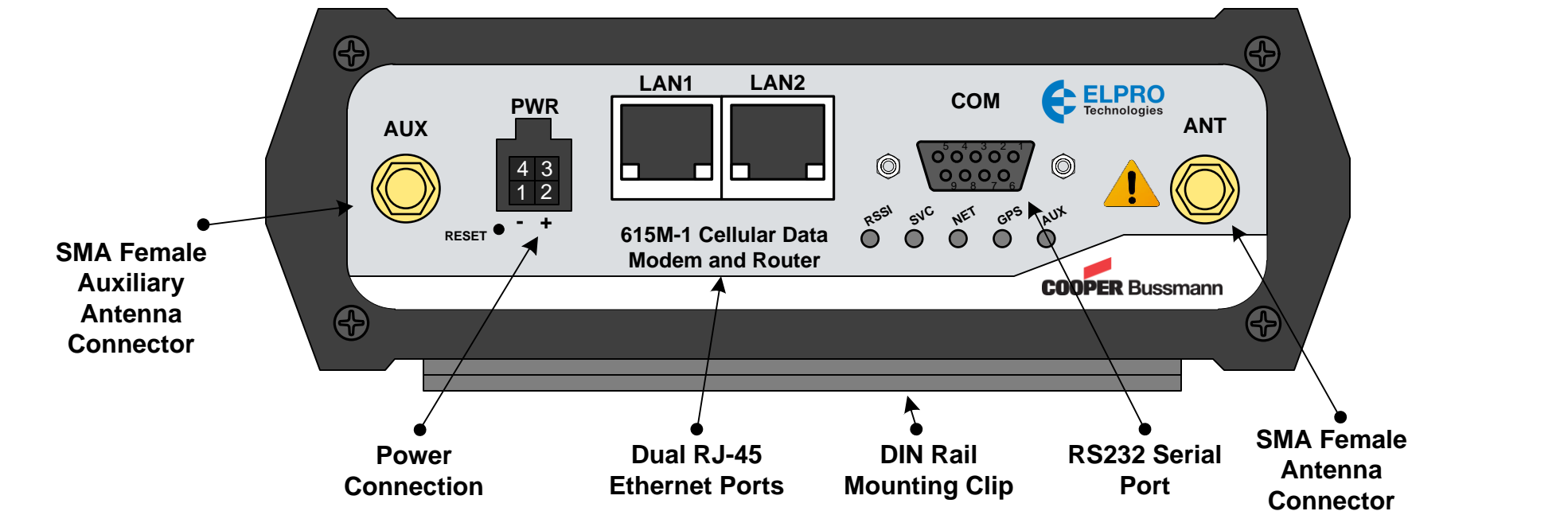


- NOTES**
- ALL connections must be SELV (Safety Extra Low Voltage <50V AC & <120V DC)
  - WARNING – Explosion Hazard – Do not Disconnect equipment while the circuit is live or unless the area is known to be free of ignitable concentrations.
  - WARNING – Explosion Hazard – Substitution of any component may impair suitability for Class 1, Division 2.
  - “- Supply” terminal must be connected to EARTH / GROUND as close as practical to the unit.
  - To comply with FCC RF Exposure requirements in section 1.1310 of the FCC Rules, antennas used with this device must be installed to provide a separation distance of at least 20 cm (8 inches) from all persons.
  - I/O Connections - Analog and Digital Ground have different ground planes internally, they are connected internally at one point only.



# 615M-1 Cellular Modem & IP Router