

# 415U-2-Cx wireless mesh networking I/O and gateway installation guide



## Models

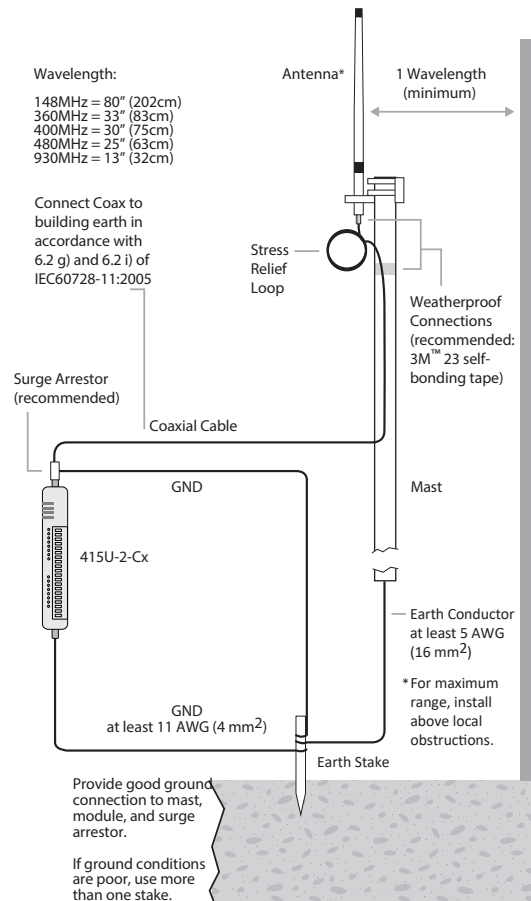
- 415U-2-C1 – 148 to 174MHz
- 415U-2-C3 – 360 to 400MHz
- 415U-2-C4 – 480 to 480MHz
- 415U-2-C5 – 470 to 520MHz
- 415U-2-C9 – 928 to 960MHz

## Antenna installation

When selecting an antenna, consider radio proximity.

Use Figure 1 as a guide for installing an antenna and attaching it to the 415U-2-Cx.

Figure 1. Antenna installation



## Connecting to the module for configuration

- Download and install configuration application “CConfig” from ELPRO website [www.elprotech.com](http://www.elprotech.com)
- Connect to PC using supplied USB cable
- Connect to the device at 192.168.111.1
- The PC will be automatically assigned an IP address via DHCP

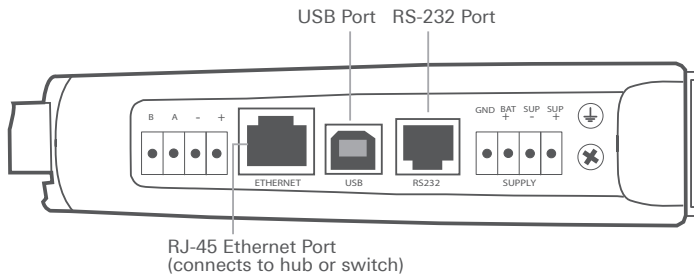
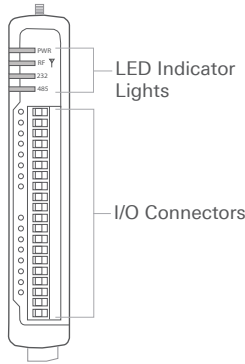
**Username:** user

**Password:** user

**NOTE**

All connections must be SELV <50 Vac and <60 Vdc.

The following illustrations show the ports on the 415U 2-Cx.

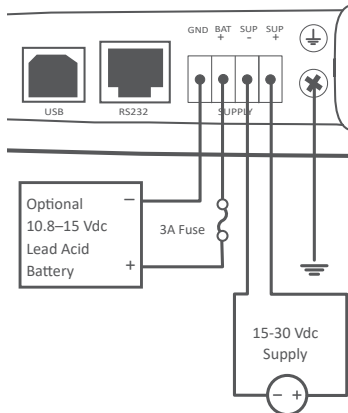


**Power supply wiring**

The ground (GND) and "SUP -" terminals are connected internally to the ground terminal and to the module enclosure.

Connect the screw terminal on the end plate to ground for surge protection.

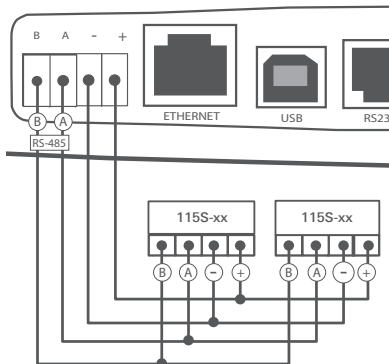
Refer to user manual for RF duty cycle derating when powering the module from SUP+ and SUP- terminals.



**Expansion I/O power and RS-485 serial connection**

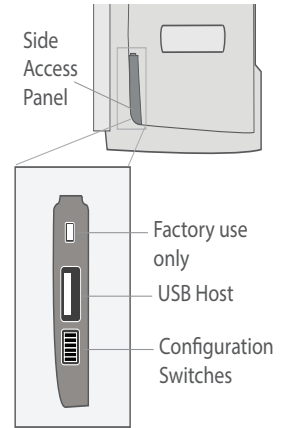
An on-board RS-485 terminating resistor provides line termination for long runs.

Enable terminating resistors at far end of the RS-485 cable.



**Configuration switches**

Use the DIP switches in the side access panel to select analog input voltage and current, external boot, and default configuration settings.

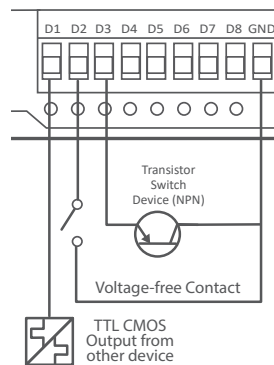


DIP	DESCRIPTION
1	AI3 current/voltage
2	AI3 current/voltage
3	AI4 current/voltage
4	AI4 current/voltage
5	Unused
6	Enables default configuration

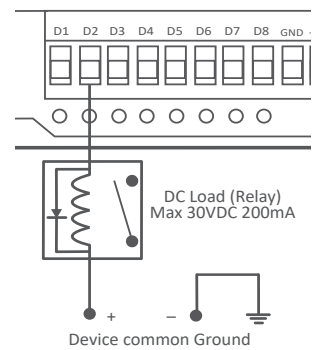
**Input and output connections**

The digital input/output channels can be wired as inputs or outputs.

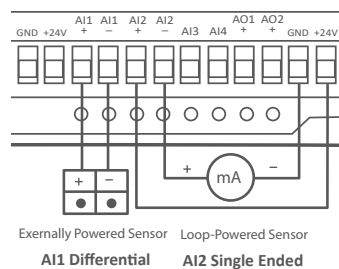
**D1-8 - Digital input**



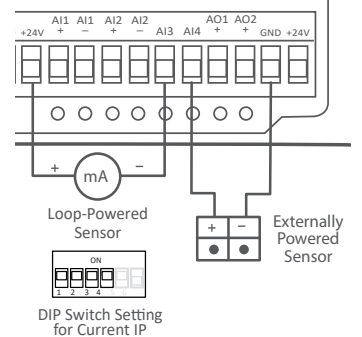
**D1-8 - Digital output**



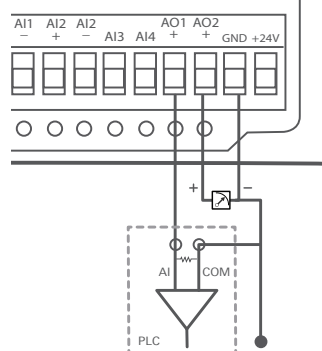
**AI1, AI2 - Differential & Single Ended I/P**



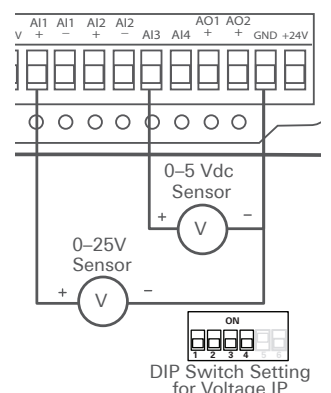
**AI3, AI4 - Single-ended current input**



**AO1, AO2 - Analog outputs**



**AI3, AI4 - Single-ended voltage input**



ELPRO Technologies  
29 Lathe St  
Virginia, QLD 4014  
Australia  
www.elprotech.com

ELPRO Technologies Inc  
2028 East Ben White Blvd,  
#240-5656 Austin, TX 78741-6931  
USA

Telephone:  
Global: +61 7 3352 8600

Telephone:  
USA: +1 855 443 5776



ELPRO is a registered trademark.  
All other trademarks are property of their respective owners.

© 2022 ELPRO  
All Rights Reserved