

115E-2 Ethernet networking I/O and gateway installation guide



⚠ WARNING - EXPLOSION HAZARD

Do not disconnect the device while the circuit is live unless the area is known to be non-hazardous.

Connecting to the module for configuration

The default settings for the 115E-2 are as follows:

- **IP Address:** 192.168.0.1XX, where "XX" is the last two digits of the serial number shown on the printed label on the side of the module
 - **Subnet Mask:** 255.255.255.0
 - **Default Gateway:** 192.168.0.1
 - **Username:** user
 - **Password:** user
1. Connect a straight-through Ethernet cable between the module's Ethernet port and a PC.
 2. Open Internet Explorer on the PC.
 3. Type "http://" followed by the IP address of the module and press Enter.

The configuration Web page is displayed. If this Web page does not appear, see the user manual.

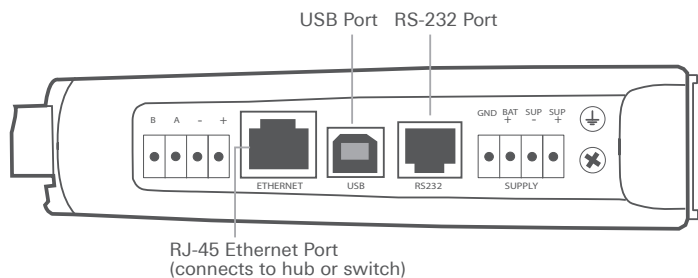
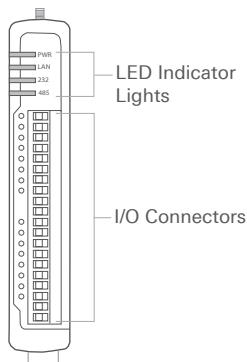


Powering Business Worldwide

NOTE

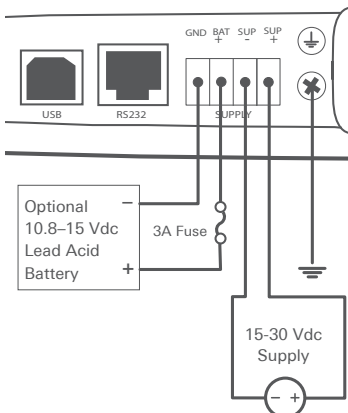
All connections must be SELV <50 Vac and <120 Vdc.

The following illustrations show the ports on the 115E 2.



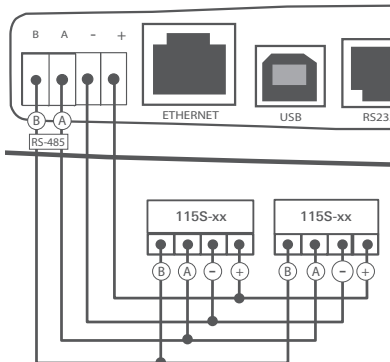
Power supply wiring

The ground (GND) and "SUP -" terminals are connected internally to the ground terminal. Connect the screw terminal on the end plate to ground for surge protection.



Expansion I/O power and RS-485 serial connection

An on-board RS-485 terminating resistor provides line attenuation for long runs. Place terminating resistors at each end of the RS-485 cable.



Eaton
1000 Eaton Boulevard
Cleveland, OH 44122
United States
Eaton.com

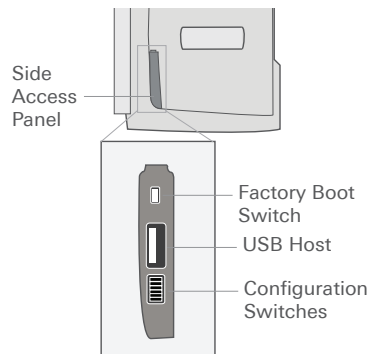
Eaton's wireless business
www.eaton.com/wireless



Configuration switches

Use the DIP switches in the side access panel to select analog input voltage and current, external boot, and default configuration settings.

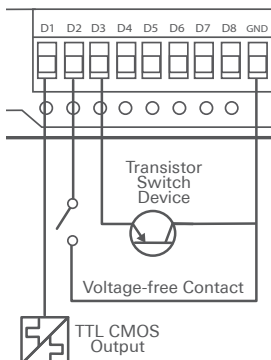
DIP	DESCRIPTION
1	AI3 current/voltage
2	AI3 current/voltage
3	AI4 current/voltage
4	AI4 current/voltage
5	Unused
6	Enables default configuration



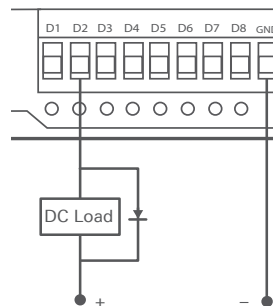
Input and output connections

The digital input/output channels can be wired as inputs or outputs.

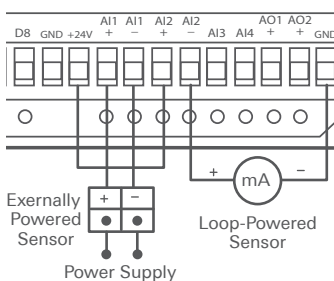
Digital input



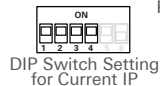
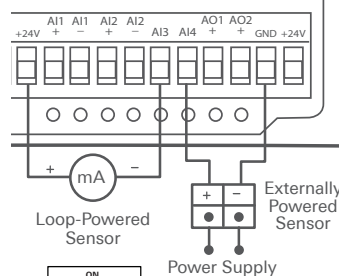
Digital output



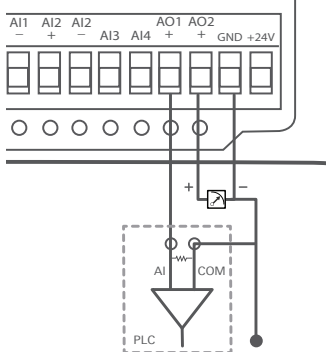
Differential current inputs (AI1, AI2)



Single-ended current input (AI3, AI4)



Analog output



Single-ended voltage input

