

905U-E

Installation Guide

WARNING !

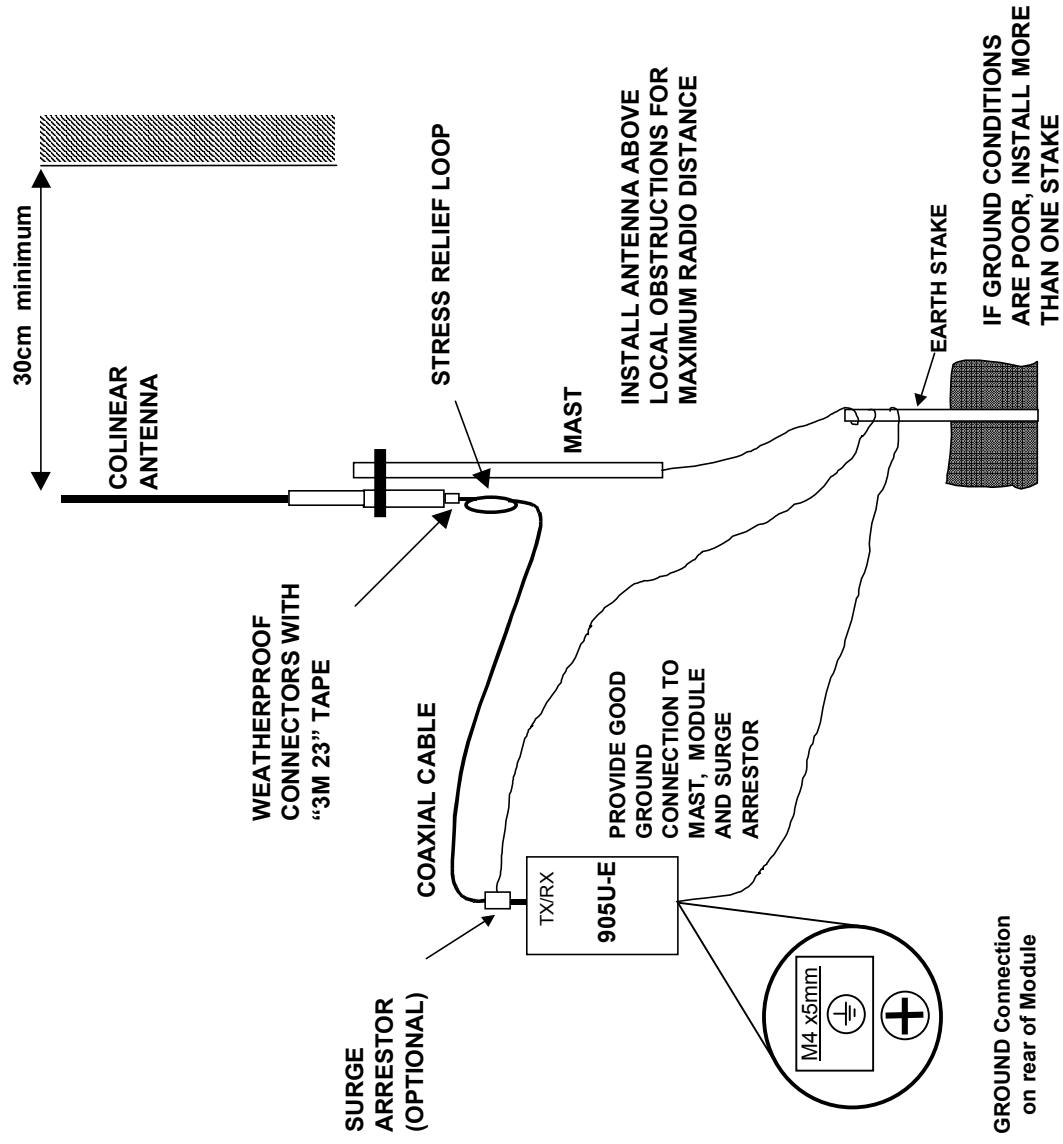
EXPLOSION HAZARD

DO NOT DISCONNECT WHILE CIRCUIT IS LIVE UNLESS AREA IS KNOWN TO BE NON HAZARDOUS

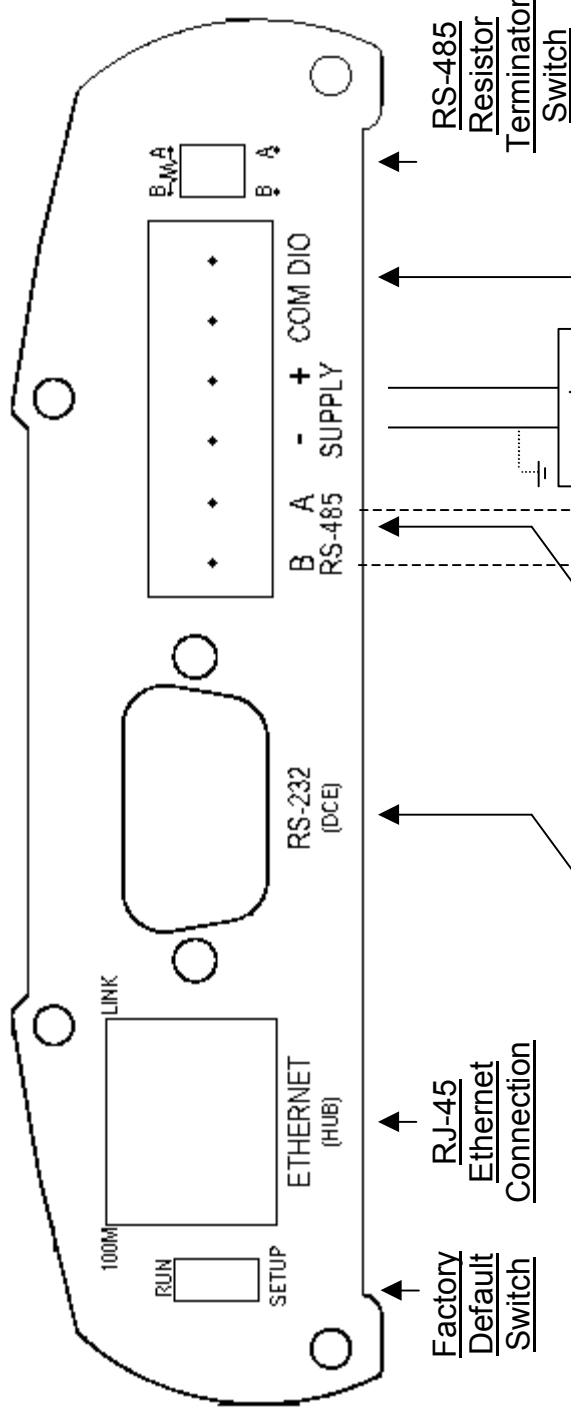
Statutory Requirements

FCC: Unlicensed operation limits the radio power. High gain aerials may only be used to compensate for cable losses.

Antenna Installation

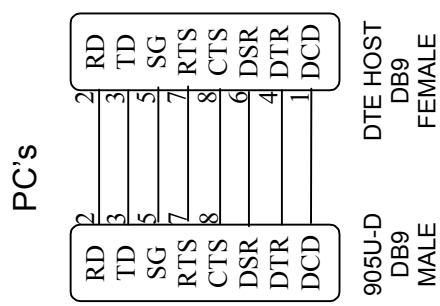


905U-E Wiring

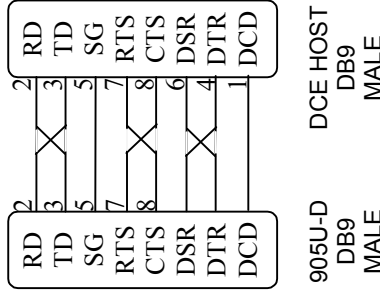


Connect "-" terminal to GROUND for surge protection

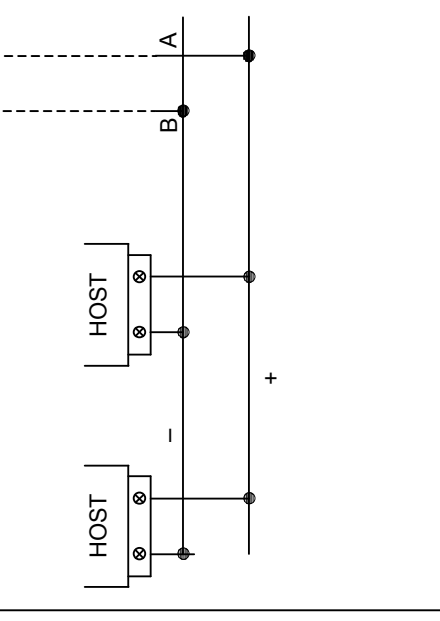
RS232 Connections



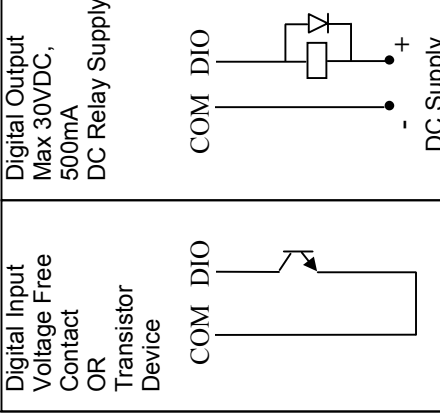
PLC's, Dataloggers



RS485 Connection



Digital Input/ Output



NOTE:

1. All connections to be SELV
2. DIO channels can be wired as either inputs or outputs.
3. Ethernet Port wiring is that of a hub or switch.
4. Connect "-" terminal to GROUND for surge protection