

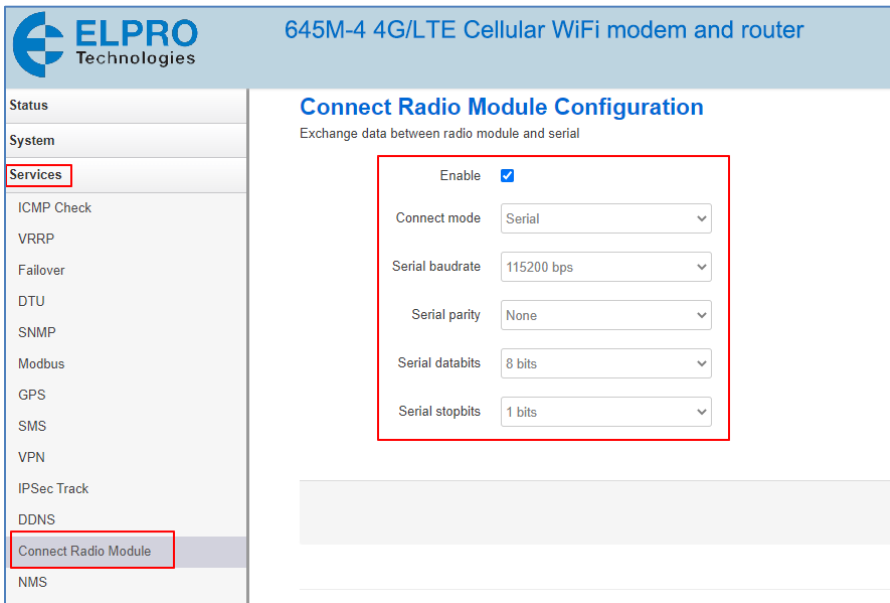
Support Note –645M-4 SMS using AT commands.

Application

The 645M-4 cellular modem can send an SMS message by connecting to the serial port and sending AT commands.

Configuration

Open modem Web GUI – Services/Connect Radio Module

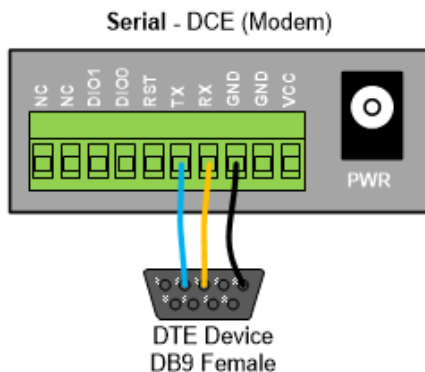


Enable and configures serial settings appropriate to what is required. Then “Save and Apply”

Setup the modem to connect to the network as per the user manual.

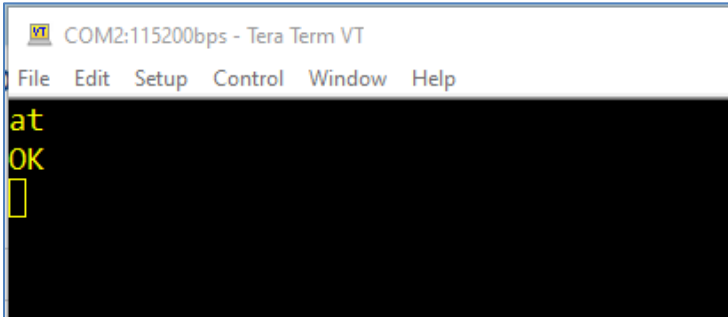
Open up a terminal, i.e. Terr term, putty, ProComm, etc. using the Serial parameters as per the setting configured above.

Serial connection details below for a PC or Laptop serial port.



When the terminal open, you will need to type “+++” to get into the AT command line.

May need to type “+++” then <Enter> and then type “AT” and <Enter> again and you should get an “OK” response. See below.



We now need to confirm/set a couple of parameters to allow the SMS to be formatted correctly.

Type commands below in **BLUE** and responses will be shown in **GREEN**.

AT+CMGF=1

OK

AT+CSCS="GSM"

OK

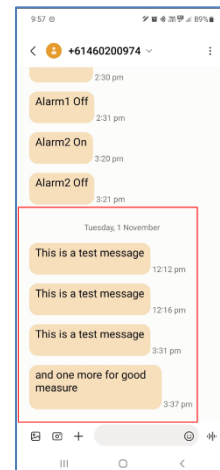
AT+CMGS="+61460200974" (Include International Country code, i.e. +61 for Australia then the number)

> **This is a test message** (Message you wish to send) followed by <Enter>

> **<CTRL Z>** (Use to send message)

+CMGS: 34

You should then see an SMS message received on the mobile Phone.



Amendment Register:

Issue No.	Date	Details of Amendment
1.0	5/5/2023	Draft Issue