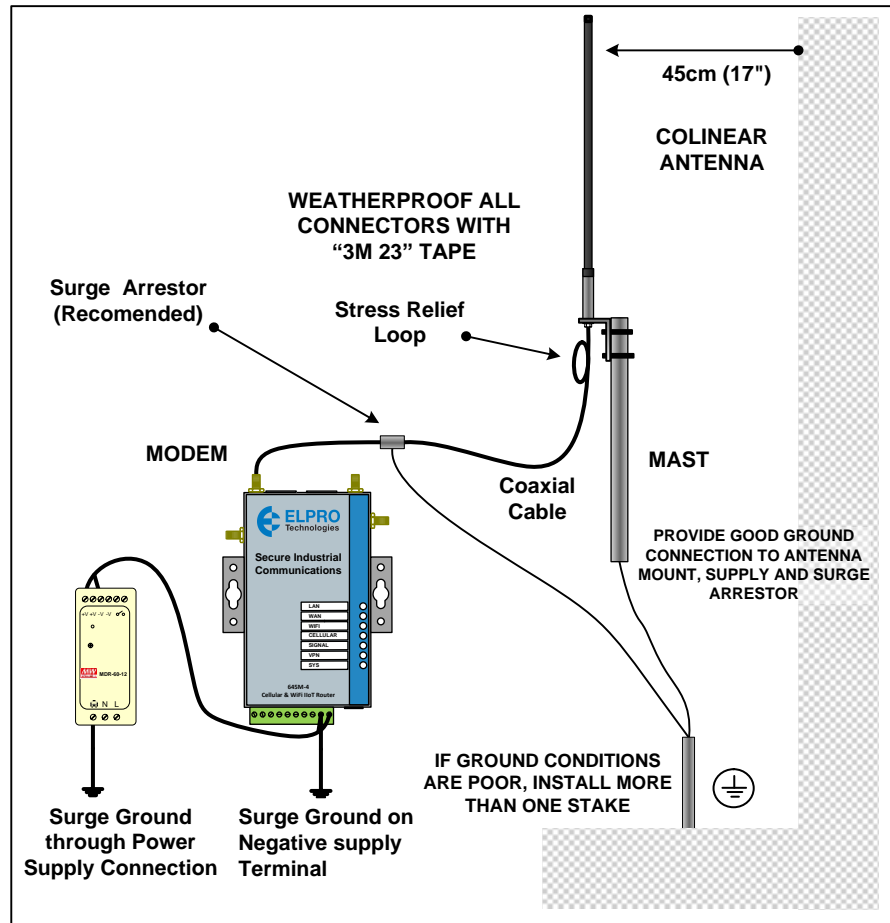
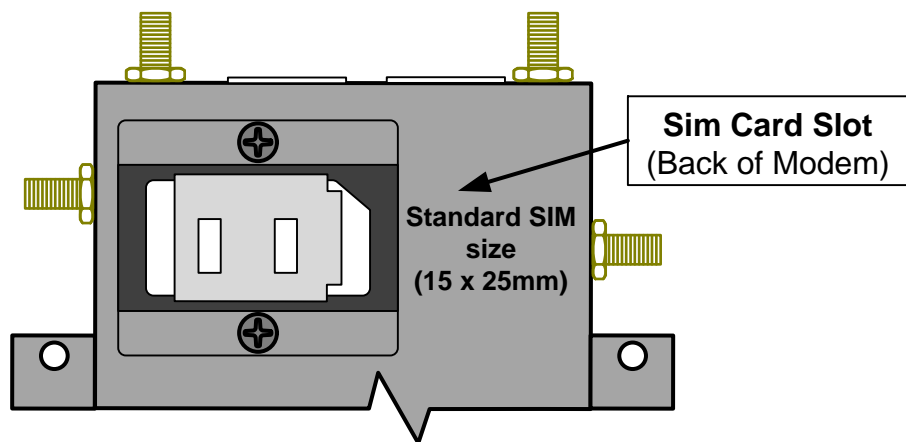


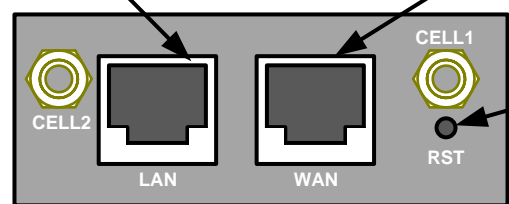
645M-4 Cellular & WiFi IloT Router



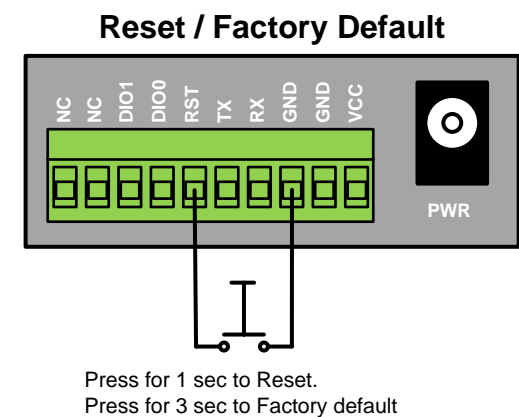
- NOTES**
- ALL connections must be SELV (Safety Extra Low Voltage <50V AC & <120V DC)
 - **WARNING** – Explosion Hazard – Do not Disconnect equipment while the circuit is live or unless the area is known to be free of ignitable concentrations.
 - "GND" terminal must be connected to EARTH / GROUND as close as practical to the unit.
 - To comply with FCC RF Exposure requirements in section 1.1310 of the FCC Rules, antennas used with this device must be installed to provide a separation distance of at least 45 cm (17 inches) from all persons.



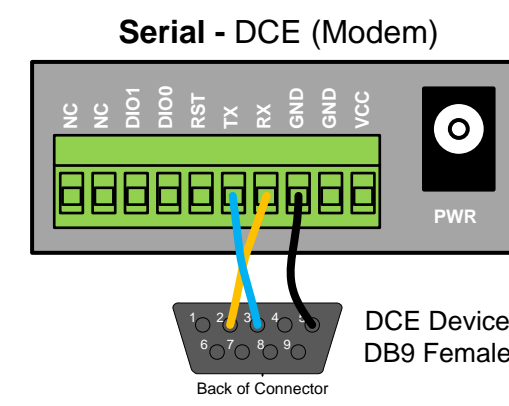
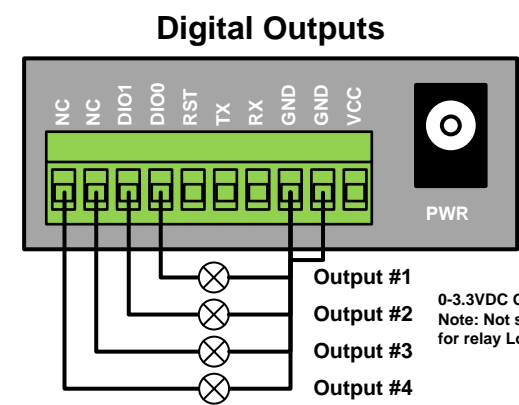
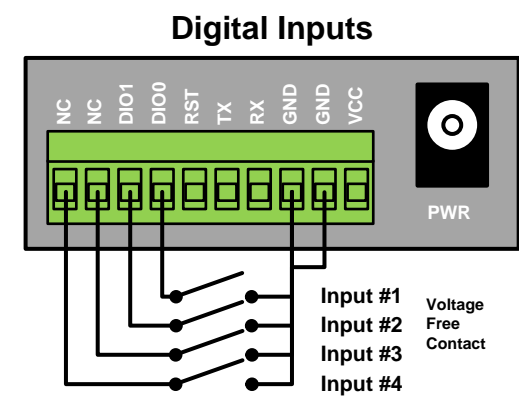
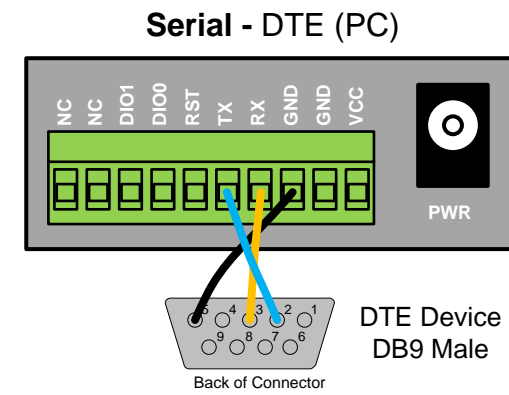
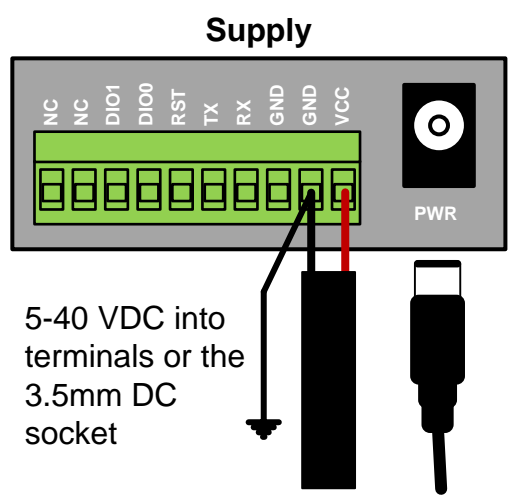
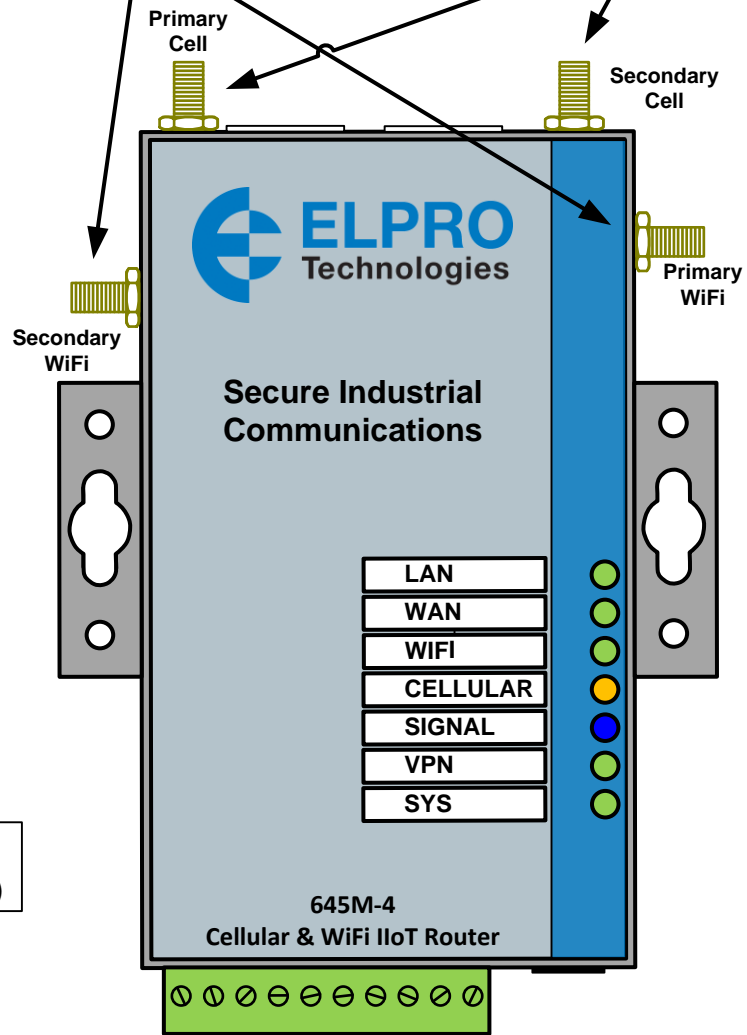
LAN port for configuration and data
WAN Connection, can be used as a secondary LAN port



RESET press for 1 sec to Reset, 3 Sec to Factory default.
Default IP Address 192.168.1.1



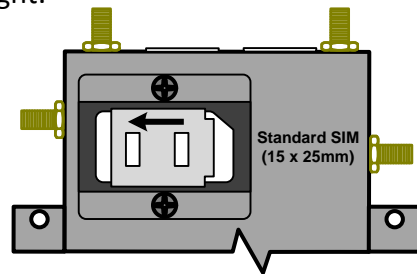
WiFi antenna Connections
Cell antenna Connections



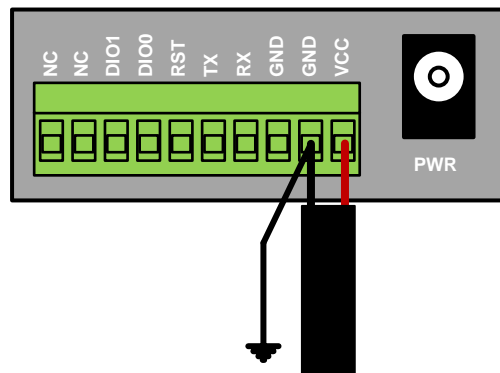
645M-4 Cellular & WiFi IIoT Router

Setting the basic connection and APN

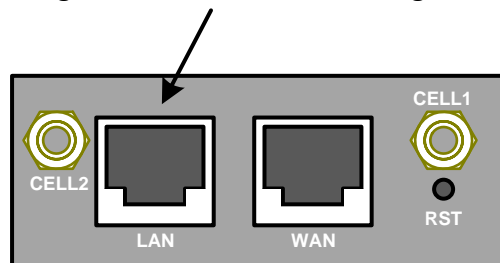
- Remove the two screws from the small plate on the back of the modem to access the SIM card holder.
 - Slide the silver plate to the left to open the SIM holder.
 - Insert the SIM card into the tray, close and lock firmly by sliding back to the right.



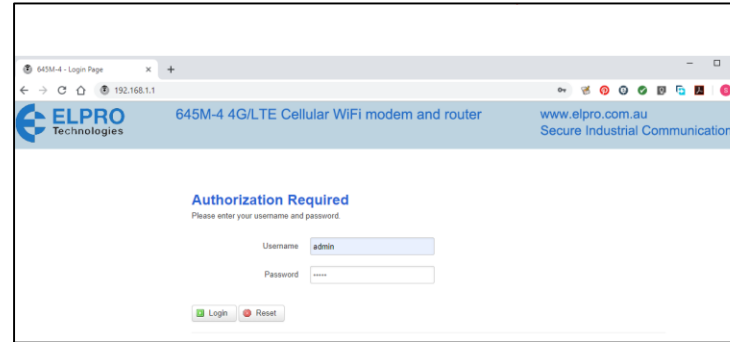
- Before switching on the modem, please ensure the antennas are securely connected and connect the 5-40 VDC power supply to the VCC & GND terminals



- Connect the Modems LAN port to a PC via an RJ45 Ethernet cable. Set the PC to obtain an IP address automatically from the modem router. The PC will get an IP address in the range of 192.168.1.XXX.



- Open the Web browser and type in 192.168.1.1 into the Address bar. A Login window will appear, enter the login details as: Username = admin and Password = admin



- From first connection after a factory default (Out of the Box) you will see a Setup Wizard . Fill in the details on each tab and then press the "Finish" button to complete.

- First Tab is the Passwords, Time zone, Modem Name and Language.
- Second Tab is the Mobile connection settings, enter the APN that your provider has said to use with your SIM card, i.e "telstra.extranet, "m2mone.com.au", etc.
- Third Tab is the LAN IP address you wish to use.
- Fourth Tab is WiFi, if it is not used then deselect otherwise fill out the appropriate settings and then press "Finish"

- When all Settings are configured navigate back to: Status > Overview page and the Cellular Status should show "Up"

Mobile 1	
Cellular Status	Up
IP Address	123.209.121.70/255.255.255.252
DNS 1	10.4.58.204
DNS 2	10.4.130.164
Cell Modem	QUECTEL_EC21 (2C7C_0121)
IMEI/ESN	864292040486043
Sim Status	SIM Ready
Strength	18 / 31, dBm : -81

Dimensions

